

Cost-effective ceiling construction with steel bearings

over
2 mio
m² installed



Shorten your construction time with faster planning and installation

The PFEIFER Steel Bearings have been enabling the simple, safe and extremely fast planning, manufacture and installation of concrete ribbed ceilings and joists for many years. Over 2 million m² of installed ceiling area speak for themselves!

The optimised product, our free and revised dimensioning software and our comprehensive technical support guarantee you an inexpensive, fast and safe construction project.



new

one-piece:
Anchoring bar
already welded ont



INTERNATIONAL

Sales:
+49 (0) 83 31 937 231
export-bt@pfeifer.de

Technical support:
+49 (0) 83 31 937 345
support-bt@pfeifer.de

www.pfeifer.info/connecting-and-lifting-systems

PFEIFER

06.21 | 485269

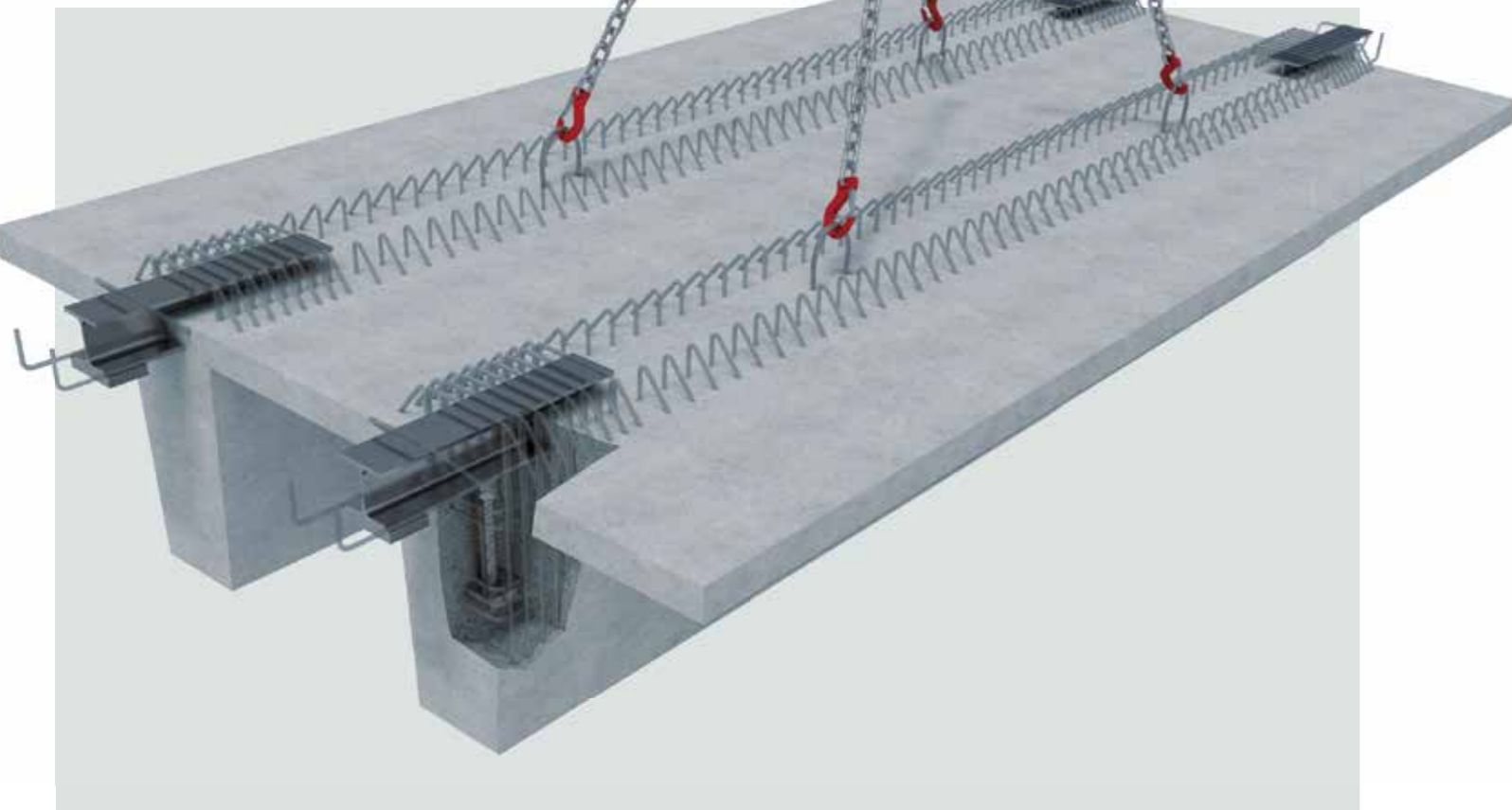


Steel Bearing

for the support of concrete
ribbed ceilings and joists

PFEIFER

Your advantages...



⊕ Simplified supporting structure planning

- No bearing ledges and dowels required for joists – simple rectangular beams suffice entirely.
- Free dimensioning software and pre-dimensioning tables

⊕ Simple prefabrication – even faster due to optimised product

- Simple formwork, high degree of prefabrication
- Simple and light reinforcement
- **NEW:** One-piece bearing is even quicker to install

⊕ Shortened construction time – reduced costs

- Simple and fast shuttering
- Order of installation is irrelevant – no pre-planning necessary
- No accurately planned installation of a mounting bearing necessary
- No temporary support necessary
- No grouting of dowel holes, no subsequent concrete cosmetics on bearing ledges

⊕ Safe, tried and tested

- With building authority approval
- Over 2 million m² of ceiling area successfully installed

Areas of application



π plates

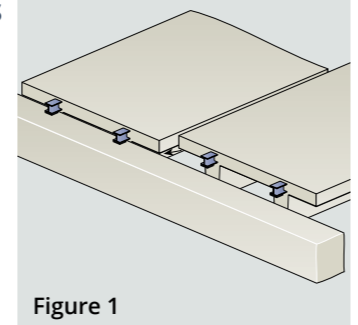


Figure 1

Trough plates

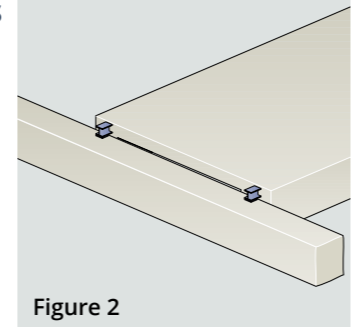


Figure 2

Joists / secondary beams

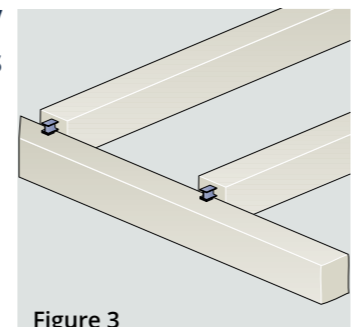


Figure 3

PFEIFER steel bearings were developed for the cost-effective support of TT plates, trough plates and joists (figs. 1-3). The large eccentricities that usually occur in the installation and end states due to conventional constructions with bearing ledges can be avoided by using steel bearings. Time and costs can be saved as a result. Cost-intensive supports using scaffolding towers or the like can also be dispensed with. The PFEIFER steel bearings are designed to absorb the entire bearing support force during installation, which results from the dead weight of the precast element, the topping layer and the imposed load when concreting. In the end state the steel bearings work together with the mortised concrete support.

PS-A Steel Bearing

new one-piece

Use

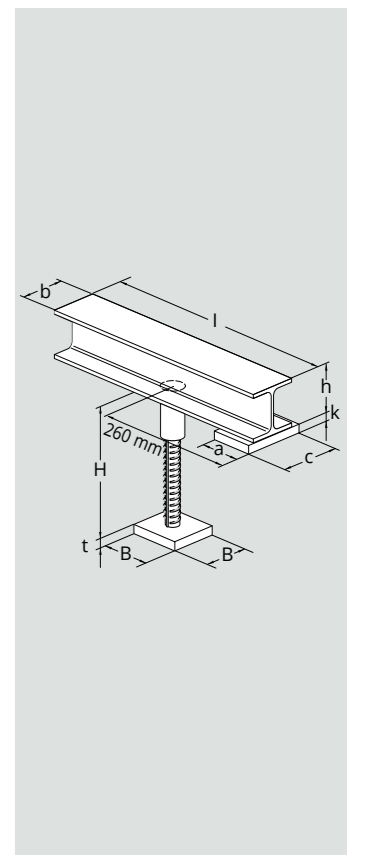
- Installation of TT ceilings, joists or trough plates
- Installation on the front side in the slab construction
- Temporary support point in the assembly state and permanently during building use
- Live loads are safely transferred to the beams with the inserted reinforcement and the in-situ concrete layer

Your advantages

- Secure bearing on simple rectangular joists
- Direct bearing with low load eccentricity
- Bearing ledges and dowels for securing the position are no longer required
- Saves construction costs and time
- Prefabrication of the precast elements under controlled conditions
- Significantly earlier use of building with shortest planning time
- Screeding work is no longer essential after concreting the topping slab
- Free dimensioning software
- **New: one-piece** – even shorter installation time!

Material

- bare steel



| Ref. no. | Type | Dimensions | | | | | | | | |
|----------|--------------|------------|--------|--------|--------|--------|--------|--------|--------|--------|
| | | H [mm] | l [mm] | b [mm] | h [mm] | k [mm] | a [mm] | c [mm] | t [mm] | B [mm] |
| 491874 | PS-A-65/225 | 225 | 520 | 100 | 91 | 20 | 80 | 120 | 15 | 80 |
| 491879 | PS-A-65/250 | 250 | 520 | 100 | 91 | 20 | 80 | 120 | 15 | 80 |
| 491881 | PS-A-65/275 | 275 | 520 | 100 | 91 | 20 | 80 | 120 | 15 | 80 |
| 491882 | PS-A-65/300 | 300 | 520 | 100 | 91 | 20 | 80 | 120 | 15 | 80 |
| 491883 | PS-A-65/325 | 325 | 520 | 100 | 91 | 20 | 80 | 120 | 15 | 80 |
| 491884 | PS-A-65/350 | 350 | 520 | 100 | 91 | 20 | 80 | 120 | 15 | 80 |
| 491885 | PS-A-65/375 | 375 | 520 | 100 | 91 | 20 | 80 | 120 | 15 | 80 |
| 491886 | PS-A-65/400 | 400 | 520 | 100 | 91 | 20 | 80 | 120 | 15 | 80 |
| 468365 | PS-A-80/100 | 225 | 520 | 100 | 96 | 20 | 80 | 120 | 20 | 90 |
| 468366 | PS-A-80/100 | 250 | 520 | 100 | 96 | 20 | 80 | 120 | 20 | 90 |
| 468367 | PS-A-80/100 | 275 | 520 | 100 | 96 | 20 | 80 | 120 | 20 | 90 |
| 468368 | PS-A-80/100 | 300 | 520 | 100 | 96 | 20 | 80 | 120 | 20 | 90 |
| 468369 | PS-A-80/100 | 325 | 520 | 100 | 96 | 20 | 80 | 120 | 20 | 90 |
| 468370 | PS-A-80/100 | 350 | 520 | 100 | 96 | 20 | 80 | 120 | 20 | 90 |
| 468371 | PS-A-80/100 | 375 | 520 | 100 | 96 | 20 | 80 | 120 | 20 | 90 |
| 468372 | PS-A-80/100 | 400 | 520 | 100 | 96 | 20 | 80 | 120 | 20 | 90 |
| 468373 | PS-A-130/300 | 300 | 520 | 100 | 100 | 20 | 80 | 120 | 20 | 100 |
| 468374 | PS-A-130/325 | 325 | 520 | 100 | 100 | 20 | 80 | 120 | 20 | 100 |
| 468375 | PS-A-130/350 | 350 | 520 | 100 | 100 | 20 | 80 | 120 | 20 | 100 |
| 468376 | PS-A-130/375 | 375 | 520 | 100 | 100 | 20 | 80 | 120 | 20 | 100 |
| 468377 | PS-A-130/400 | 400 | 520 | 100 | 100 | 20 | 80 | 120 | 20 | 100 |
| 468378 | PS-A-130/425 | 425 | 520 | 100 | 100 | 20 | 80 | 120 | 20 | 100 |
| 468379 | PS-A-130/450 | 450 | 520 | 100 | 100 | 20 | 80 | 120 | 20 | 100 |
| 468380 | PS-A-130/475 | 475 | 520 | 100 | 100 | 20 | 80 | 120 | 20 | 100 |
| 468381 | PS-A-130/500 | 500 | 520 | 100 | 100 | 20 | 80 | 120 | 20 | 100 |
| 468382 | PS-A-160/350 | 350 | 720 | 120 | 120 | 20 | 80 | 150 | 20 | 100 |
| 468383 | PS-A-160/375 | 375 | 720 | 120 | 120 | 20 | 80 | 150 | 20 | 100 |
| 468384 | PS-A-160/400 | 400 | 720 | 120 | 120 | 20 | 80 | 150 | 20 | 100 |
| 468385 | PS-A-160/425 | 425 | 720 | 120 | 120 | 20 | 80 | 150 | 20 | 100 |
| 468386 | PS-A-160/450 | 450 | 720 | 120 | 120 | 20 | 80 | 150 | 20 | 100 |
| 468387 | PS-A-160/475 | 475 | 720 | 120 | 120 | 20 | 80 | 150 | 20 | 100 |
| 468388 | PS-A-160/500 | 500 | 720 | 120 | 120 | 20 | 80 | 150 | 20 | 100 |
| 468389 | PS-A-160/550 | 550 | 720 | 120 | 120 | 20 | 80 | 150 | 20 | 100 |