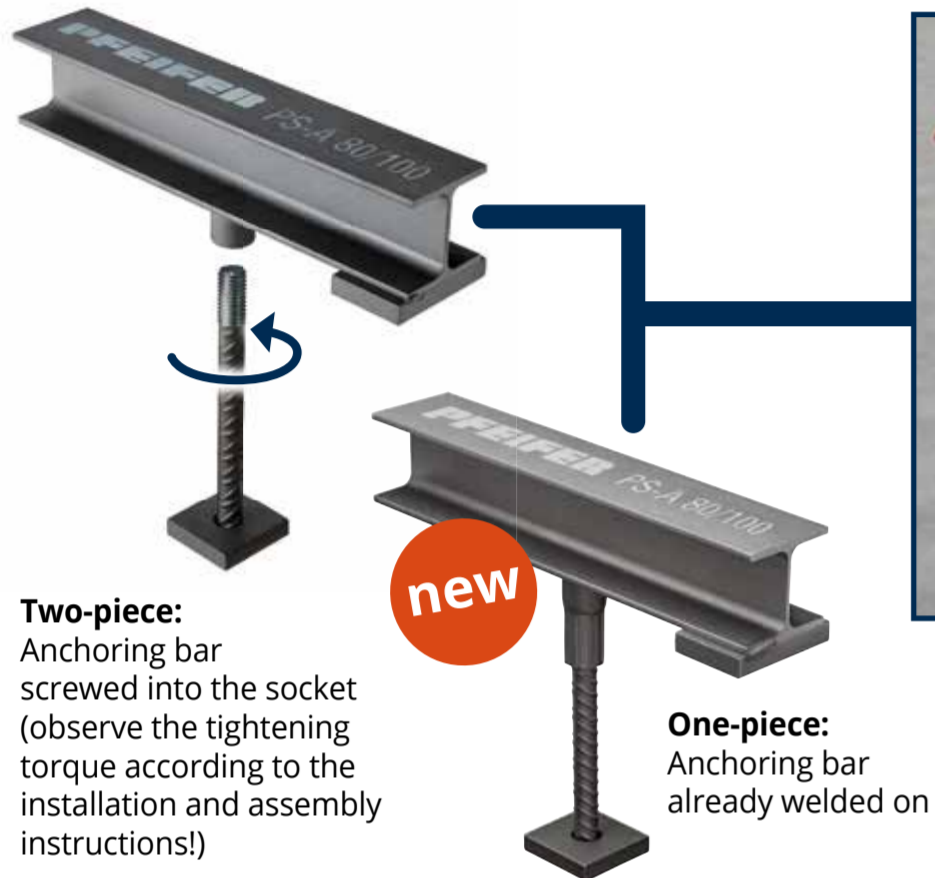


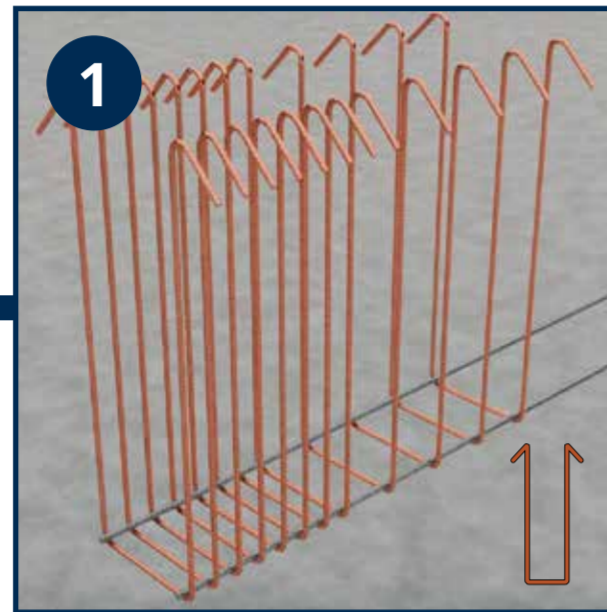
PS-A Steel Bearing

10 steps for the correct installation of reinforcement

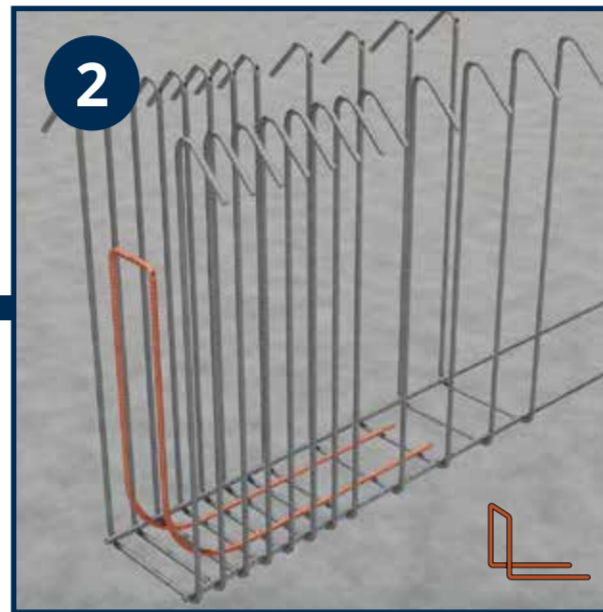
Steel Bearings
two-piece or one-piece



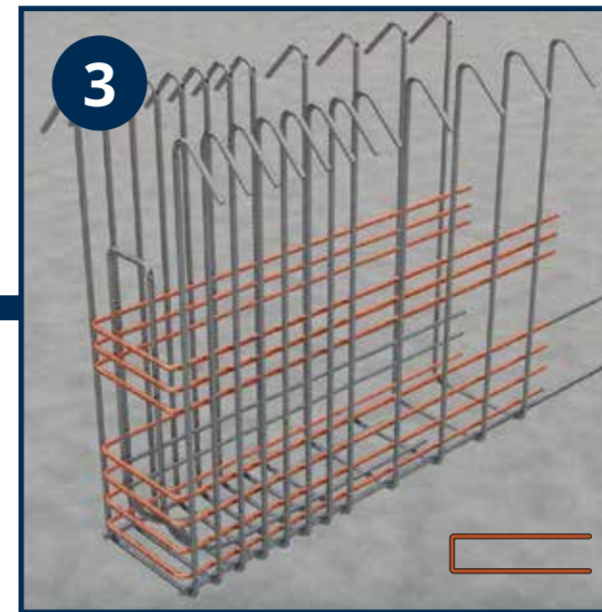
**Suspension
reinforcement**



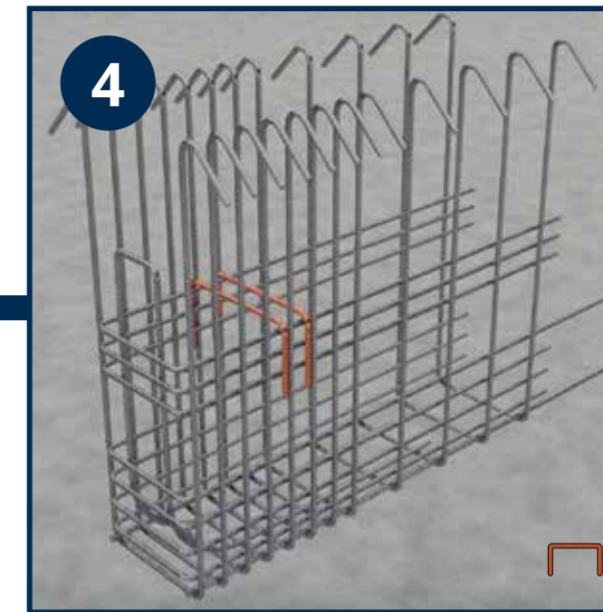
Bent-up loop



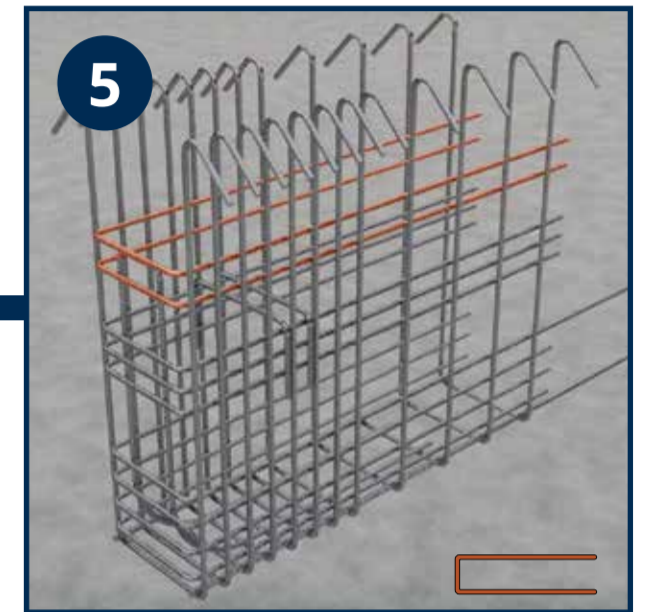
**Front stirrup,
bottom & central**



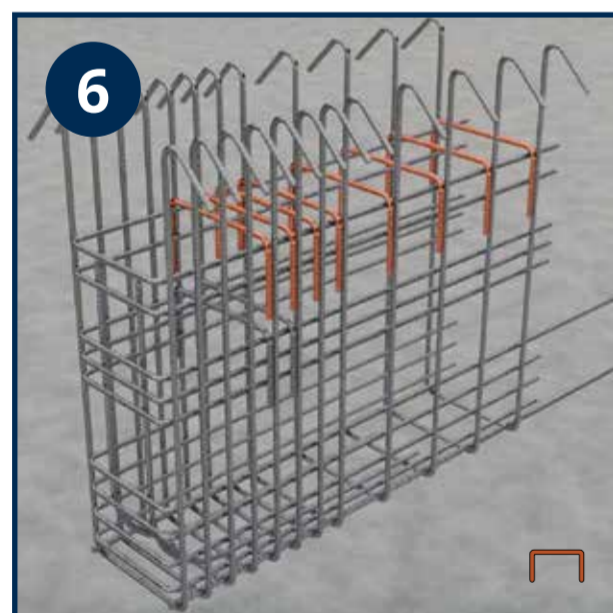
Bottom plug



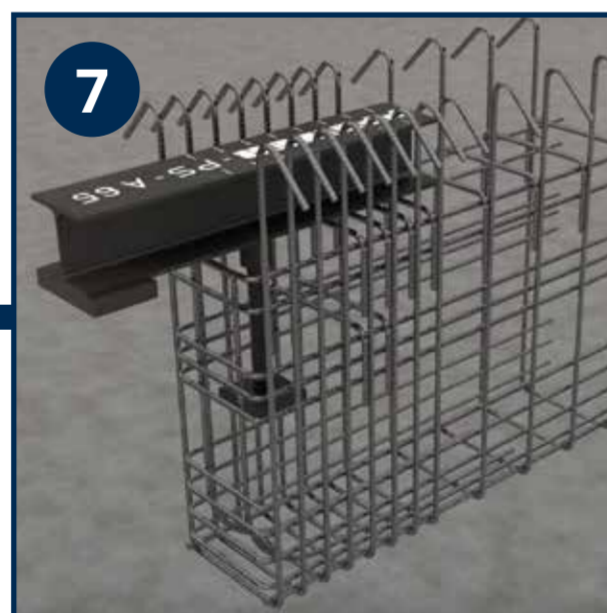
**Front stirrup,
top**



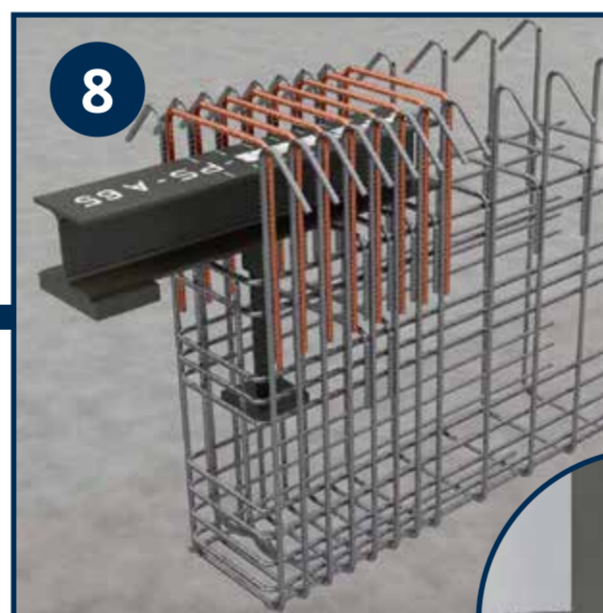
Top plug



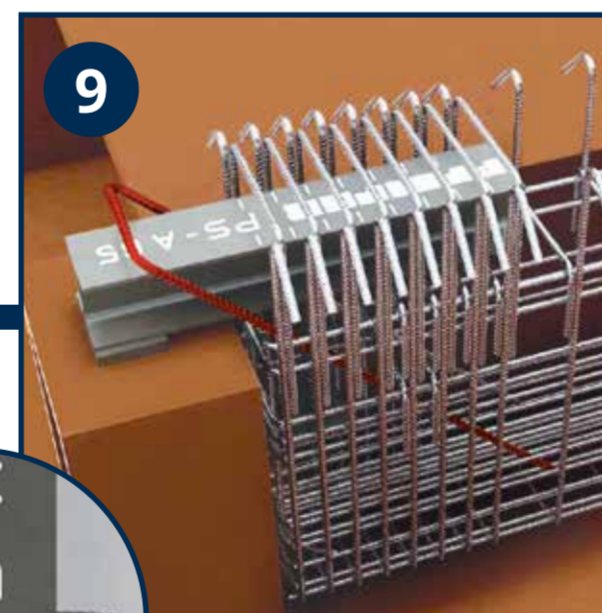
Steel bearing



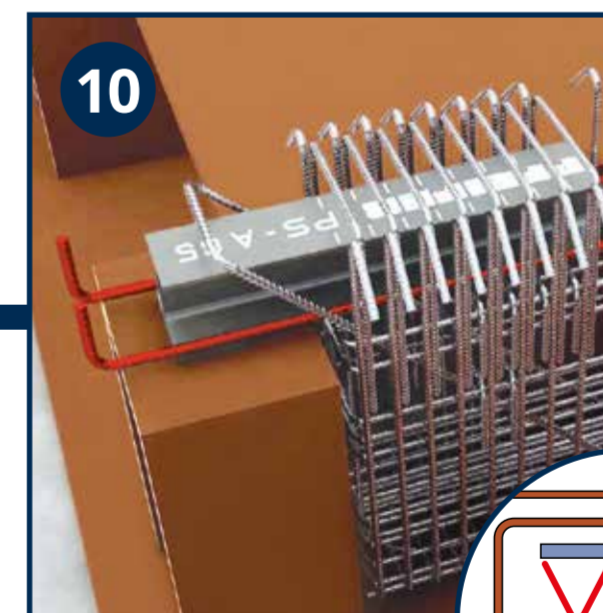
Upper stirrup caps



Diagonal stirrup



**Additional concrete
steel reinforcements**



Shutter

Pour concrete

Compact

! Position the stirrups
in line!
Spacing to steel bearing:
min. 1 cm

Spacing to steel bearing:
min. 1 cm
Angle: 45°

! Do not place in
the beam cross-
section!

! This illustration does not replace the installation and assembly instructions

www.pfeifer.info/steel-bearing

