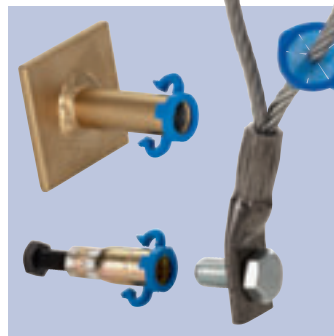
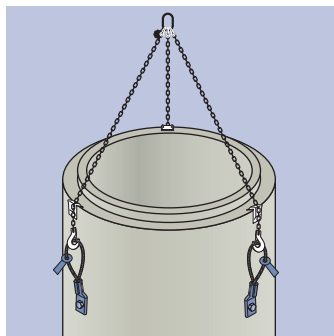


# PFEIFER

New anchors!



02/2015

## PFEIFER SAS Manhole Lifting System

**PFEIFER  
SEIL- UND HEBETECHNIK  
GMBH**

DR.-KARL-LENZ-STRASSE 66  
87700 MEMMINGEN

TEL. Support +49 (0) 83 31-937-169

Sale +49 (0) 83 31-937-312

+49 (0) 83 31-937-342

FAX E-MAIL export-bt@pfeifer.de

INTERNET www.pfeifer.de

## Efficient and flexible transport of manholes



### Advantages in use

- Attachment bolt cannot be lost
- No foreseeable mistakes
- Optimum range of products for all practically relevant applications



### Advantages in installation

- Simple fastening in the formwork
- No additional reinforcement for the anchor



### Advantages in purchasing

- Small, optimised range of products
- Cost-effective system
- In stock – ready for shipping



### Advantages in quality

- DIN ISO 9001 certification
- Continuous production control
- Conforms to the machine directive and the technical rules
- Complete instructions for installation and use





# PFEIFER SAS Manhole Lifting System

Item no. 05.059  
Item no. 05.060  
Item no. 05.061



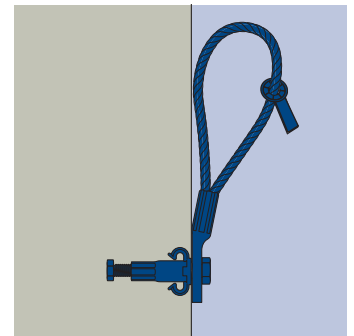
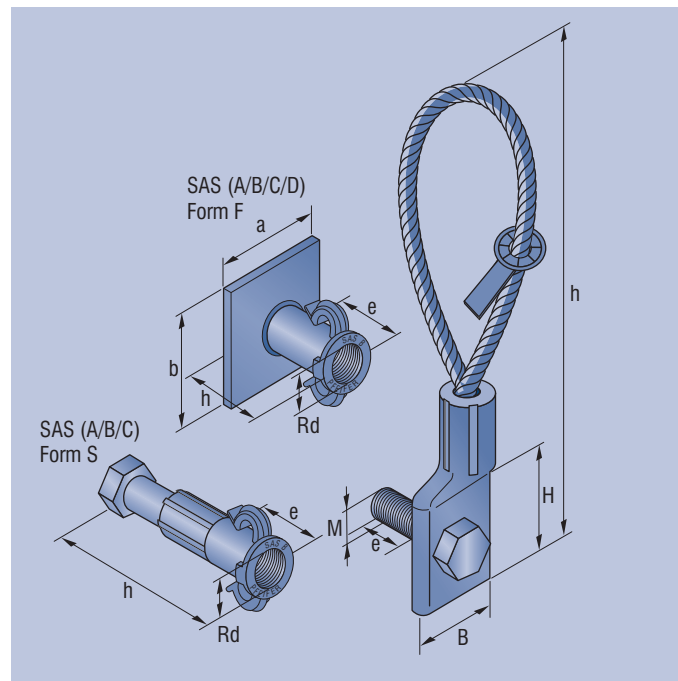
**PFEIFER**

Manhole lifting anchor system  
SAS manhole lifting system

PFEIFER SAS Manhole Lifting System consisting of PFEIFER SAS lifting anchor, PFEIFER SAS lifting loop and PFEIFER SAS data clip for lifting and moving pipe and manhole items.

## Materials:

Special quality high grade precision steel tube  
Flexible steel cable  
High-strength bolts  
Flat material



## PFEIFER SAS lifting loop

Reference no.	Type	Size	Thread	Dimensions in mm				Packing unit	Weight kg/ packing unit
				H	B	h	e		
05.059.182	SAS	V	M12	30	24.5	180	21.0	100	19.0
05.059.142	SAS	A	M14	40	29.5	210	23.5	50	9.0
05.059.162	SAS	B	M16	55	37.5	280	26.5	50	20.0
05.059.242	SAS	C	M24	65	55.2	330	39.0	25	25.0
05.059.302	SAS	D	M30	80	65.5	390	52.0	10	18.0

## PFEIFER SAS Lifting anchor

Reference no.	Type	Size	Form	Thread	Dimensions in mm				Packing unit	Weight kg/ packing unit
					h	a	b	e		
05.061.123.076	SAS	V	S	Rd12	76	—	—	22	100	4.7
05.060.143.075	SAS	A	S	Rd14	75	—	—	25	100	8.0
05.061.143.060	SAS	A	F	Rd14	60	60	60	25	100	20.0
05.060.163.095	SAS	B	S	Rd16	95	—	—	27	100	20.0
05.061.163.070	SAS	B	F	Rd16	70	60	60	27	100	25.0
05.060.243.110	SAS	C	S	Rd24	110	—	—	43	50	39.0
05.061.243.070	SAS	C	F	Rd24	70	130	130	43	50	62.5
05.061.303.120	SAS	D	F	Rd30	120	100	80	56	25	23.75

## SAS data clip

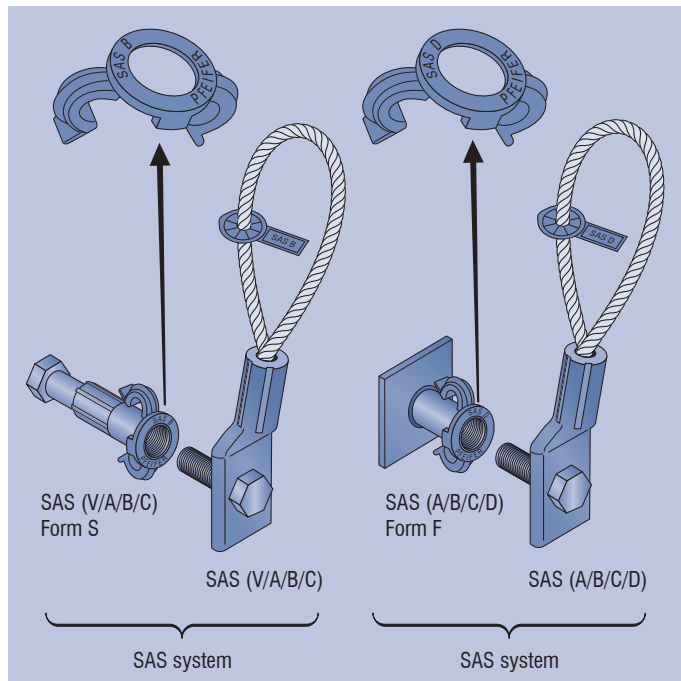
Reference no.	Type	Size	Colour
05.220.012.050	SAS	V	Traffic green
05.220.014.010	SAS	A	Light blue
05.220.016.020	SAS	B	Beige
05.220.024.040	SAS	C	Grey-white
05.220.030.052	SAS	D	Magenta

**i** M connection bolts and Rd lifting anchors are matched to each other.

**i** The PFEIFER SAS 8.8 connecting bolt is supplied pre-assembled to the PFEIFER SAS lifting loop 8.8 and is not available separately.

# Instructions for the installation and use of the PFEIFER SAS Manhole Lifting System

## System



The PFEIFER SAS Manhole Lifting System consists of the SAS lifting anchors, lifting loops and data clips.

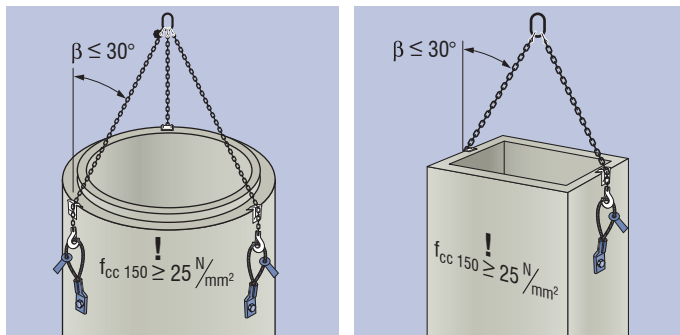
**Warning:** The use of accessories that are not part of this system, in particular products of other manufacturers, can result in parts falling down and causing injury or death. Use the PFEIFER SAS Manhole Lifting System only as a complete system!

## Safety

All necessary operating coefficients have been taken into account in accordance with the machine directive (2006/42/EC).

- Safety against metallic failure:  $\gamma_s = 3.0$
- Safety against wire rope failure:  $\gamma_s = 4.0$
- Safety against concrete failure:  $\gamma_c = 2.5$  (with coefficient 1.2 for the manufacturer's QM system in the precast plant)
- with effect coefficient on the load side:  $\gamma_c = 1.3$

## Use



The PFEIFER SAS Manhole Lifting System is for attaching and lifting pipe and manhole items of standard concrete with a cube strength  $f_{cc\ 150}$  of at least 25 N/mm<sup>2</sup>.

Always attach the PFEIFER SAS Manhole Lifting System to the outside of the manhole, to avoid axial tensile force in the anchor.

**Notice:** Only use the system if you are trained in safe handling. If you have any doubts about the safe state of the system, the question of usability must be assessed by a suitably qualified person.

**Warning:** Previous use such as lashing can lead to early damage to the PFEIFER SAS Manhole Lifting System, resulting in a possible hazard of injury or death to persons. Use the PFEIFER SAS Manhole Lifting System only for transporting pipe and manhole elements!

**Warning:** Use of the anchor by untrained personnel results in the risk of incorrect use and the risk of items falling down, causing injury or death to persons. Use only trained personnel.

## Dimensioning

**Table 1: Tightening torque and permissible resistance**

Type	Size	Tightening torque $T_{inst}$ Nm	Permissible resistance $R_{perm}$ [kN] at $f_{cc,150} \geq 25 \text{ N/mm}^2$	
			Form S	Form F
SAS	V	20 – 30	5	–
SAS	A	40 – 50	10	10
SAS	B	50 – 70	20	20
SAS	C	70 – 90	40	24.5
SAS	D	100 – 120	–	52

Use an engineering calculation to determine the acting loads, e.g. as in the general technical introduction for PFEIFER lifting anchor systems.

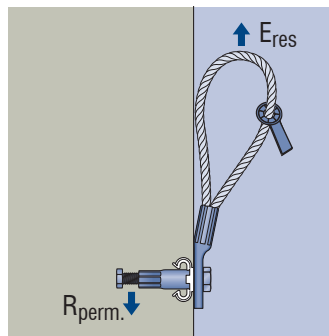


**Notice:** Take note of the “general technical introduction for PFEIFER lifting anchor systems”.

The minimum reinforcement is to be arranged as area reinforcement or upper and lower hoop reinforcement in accordance with Table 2.

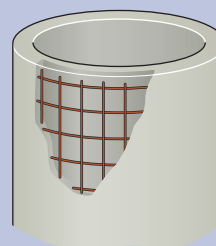
**Table 2: Minimum reinforcement**

Type	Size	area of reinforcement		reinforcement bars	
		Form	centered	Form	top and bottom
SAS	V	S	188 mm <sup>2</sup> /m	–	–
SAS	A	S	188 mm <sup>2</sup> /m	F	2 $\varnothing$ 8 mm
SAS	B	S	188 mm <sup>2</sup> /m	F	2 $\varnothing$ 10 mm
SAS	C	S	257 mm <sup>2</sup> /m	F	2 $\varnothing$ 12 mm
SAS	D	F	257 mm <sup>2</sup> /m	–	–

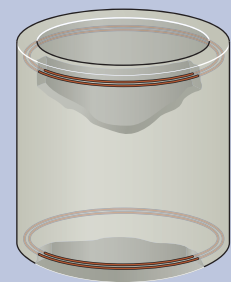


Resulting stress  $\leq$  permitted resistance  
(Table 1)  $E_{res} \leq R_{perm}$

Area reinforcement

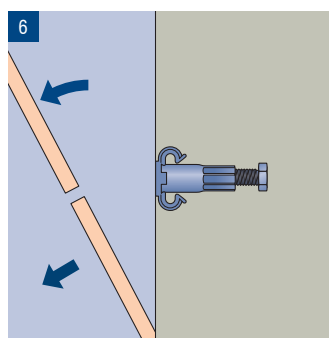
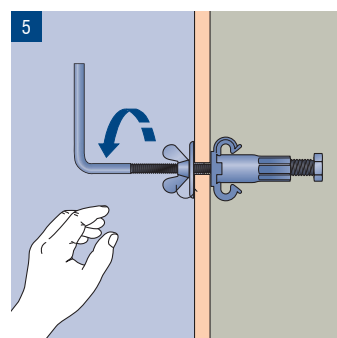
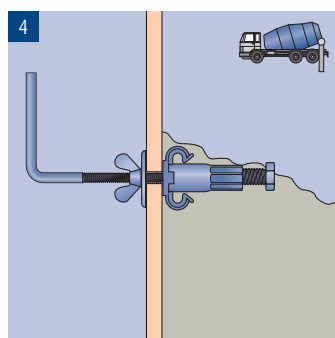
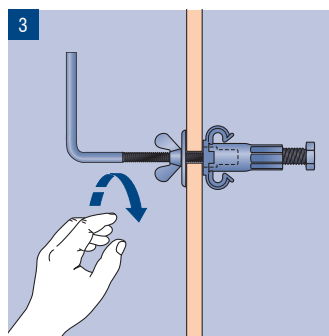
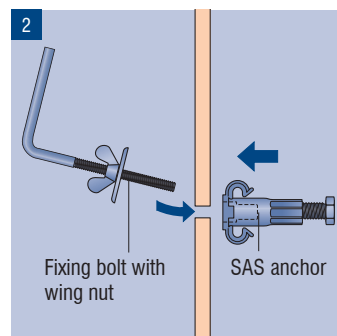
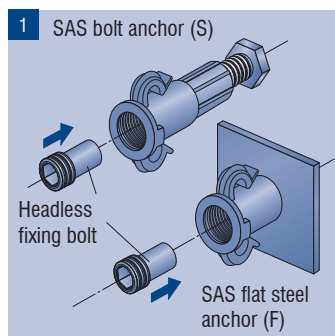


reinforcement bars



## Installation

For safe attachment of the lifting anchor to the formwork, use the sleeve bolt and the fixing bolt. Making the wing nut hand-tight will avoid the anchor coming loose during concreting.



**PFEIFER fixing screw**

Reference no.	Thread size M	To fit fixing bolt
05.206.063	M 6	M 12
05.206.083	M 8	M 14/16
05.206.103	M 10	M 24/30

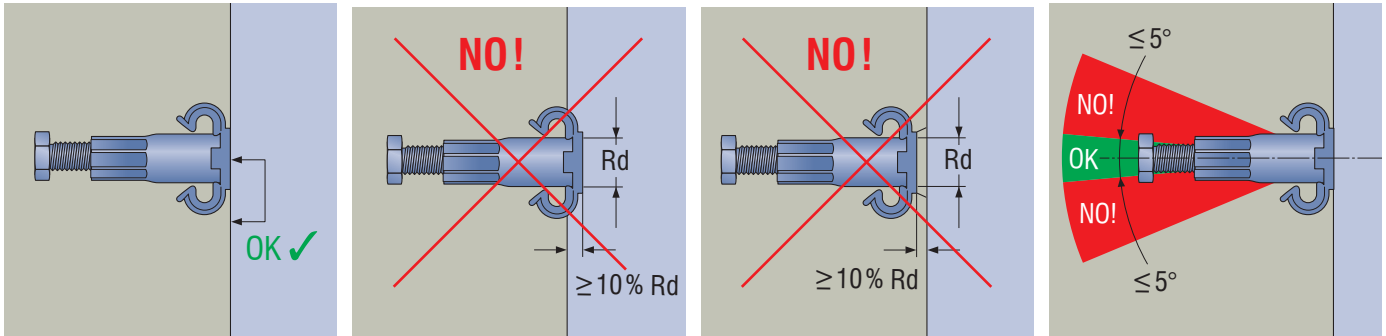
For weight and dimensions refer to the thread system data sheet p. 48.

**PFEIFER fixing bolt**

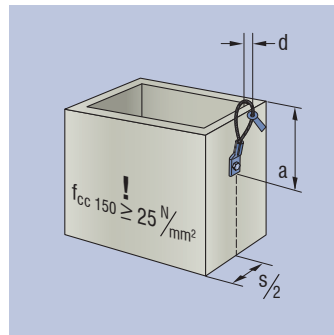
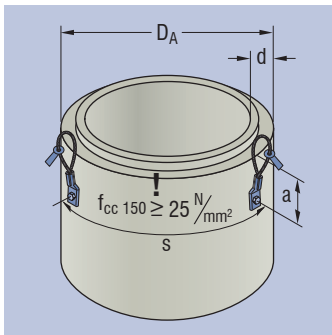
Reference no.	Thread size M	fits size
05.211.123	M 12	V
05.211.143	M 14	A
05.211.163	M 16	B
05.211.243	M 24	C
05.211.303	M 30	D

For weight and dimensions refer to the thread system data sheet p. 49.

## Installation tolerances



**Caution:** Incorrect positions and faulty installation of the anchor can lead to early failure and falling down - danger of death! Attach the anchor flush and at right-angles.



**Notice:** The anchor must always be attached higher than the centre of gravity because otherwise the element can tip over during transport.

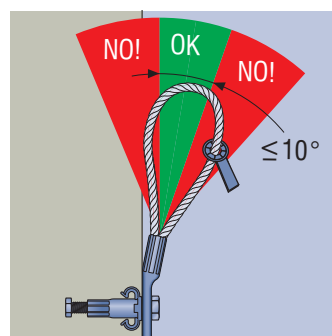
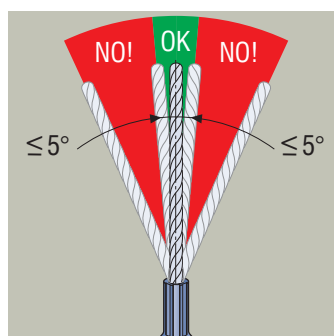
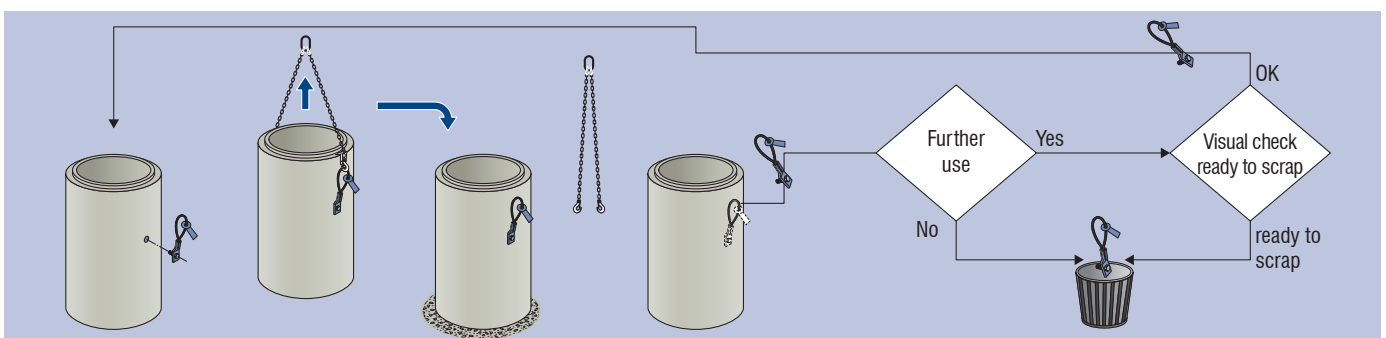
**Table 3: Minimum dimensions**

Type	Size	Minimum outer dia. $D_A$ [mm]	Minimum wall thickness $d$ [mm]	Minimum distance from edge $a$ [mm]	Minimum intermediate distance $s$ [mm]
<b>Form S</b>					
SAS	V	1240	120	215	–
SAS	A	800	100	400	800
SAS	B	1000	120	500	1000
SAS	C	2000	150	700	1400
<b>Form F</b>					
SAS	A	800	90	400	1200
SAS	B	1000	100	500	1500
SAS	C	2500	100	600	1800
SAS	D	2000	150	1000	2000



**Notice:** To achieve the stated load bearing capacity, comply with the minimum dimensions as in Table 3 and a concrete cube strength of at least 25 N/mm<sup>2</sup>.

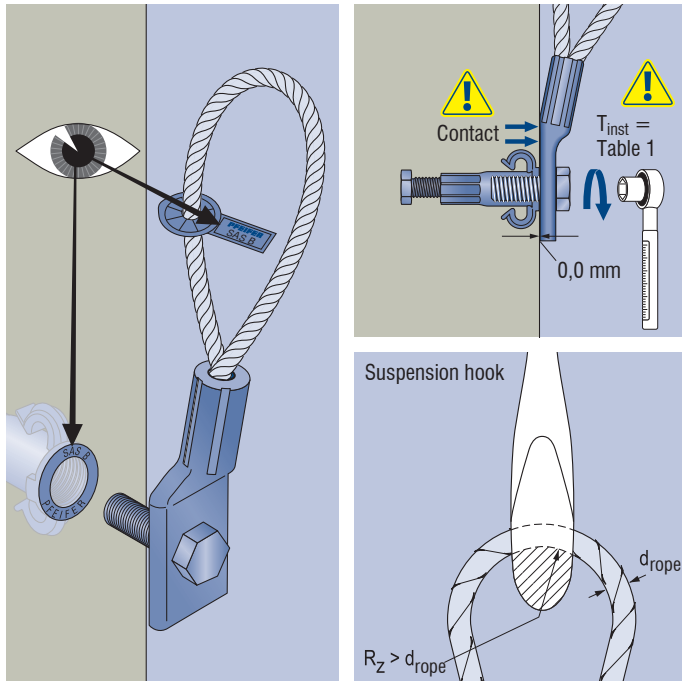
## Use



**Warning:** Loading the lifting device beyond the permitted angle may lead to premature failure of the anchor. Risk of falling, danger to life.

Apply loads only in the direction of the loop and parallel to the concrete surface.

## Use

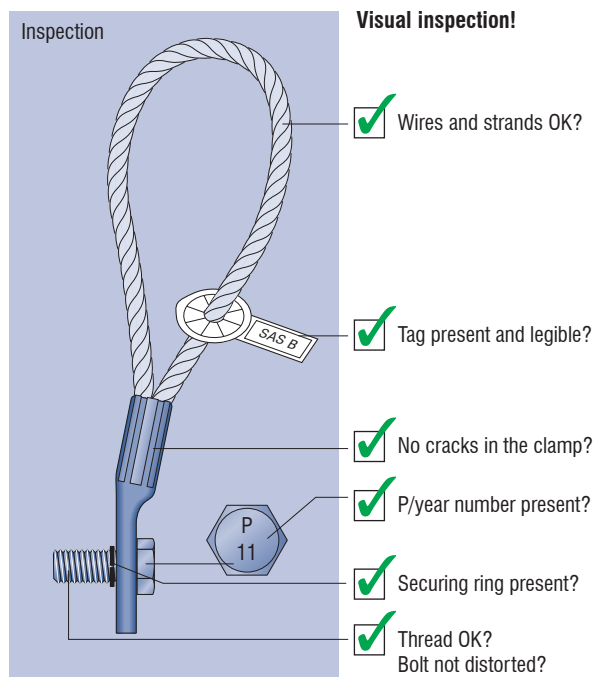


The lifting loop must be in contact with the concrete. Tighten the connecting bolt to the torque given in Table 1.

**Warning:** If the deflection radius of the hook is too small, the lifting device can fail even at the rated load. This is a hazard to life. Only attach hooks with a deflection radius at least as large as the cable diameter.

Check the system consistency by inspecting the data clip of the lifting anchor and the lifting capacity tag of the lifting loop.

## Original inspection and discarding time



**!** The SAS lifting loops must be examined by an authorised expert according to the specified criteria (see illustration: 'Inspection') before using for the first time, at least once a year and after special occurrences. The parts must be metallurgically pure for this. Repairs are not permissible.

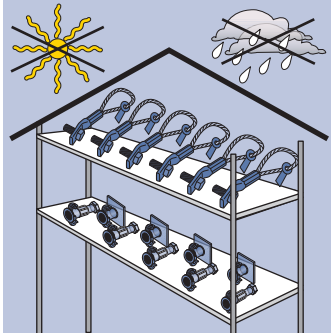
**!** **Notice:** In the case of repeated use, a visual inspection is necessary before each use.

PFEIFER SAS lifting loops may no longer be used if the following types of damage occur:

- Breakage of 4 wires over a rope length of 3x the rope diameter or an entire strand
- 3 adjacent wire breaks in outer wires in a strand
- Crushing of the wire rope
- Deformation or damage to the rope or the tapped socket
- Heavy wear
- Corrosion pits
- Connection between wire rope and ferrule loosened or detached
- defective fuse

**Warning:** Disassembly or exchanging parts of the system is not permissible. This can lead to the failure of the system – mortal danger! Use the lifting loop only in the as-new undamaged state.

## Storage



**Notice:** Store the SAS system components dry and protected. There is a risk of corrosion if there are large changes of temperature, wetness (humidity) or any influence from acids, road salt or sea water.



## EC declaration of conformity according to the EC machinery directive 2006/42/EC, appendix II 1A

The manufacturer **PFEIFER SEIL- UND HEBETECHNIK GMBH**  
DR.-KARL-LENZ-STRASSE 66  
D-87700 MEMMINGEN

declares that the following lifting device according to article 2 d) with the product designation

**PFEIFER SAS Manhole Lifting System**  
(PFEIFER SAS lifting anchor,  
PFEIFER SAS lifting loop,  
PFEIFER SAS data clip)

in the sizes: **V (Form S), A, B, C, D (Form F) and A, B, C (Form S)**

conforms to the regulations contained in the directives listed below on account of its design and construction  
– EC machinery directive 2006/42/EC

### Applied harmonised standards

– DIN EN ISO 14121-1:2007-12  
Safety of machinery – Risk assessment – Part 1: General principles

### Other applied standards or specifications

– BGR 106:1992-04 “Safety rules for anchors and systems for the lifting of precast concrete parts”, issued by the Association of German Employer’s Liability Insurance Carriers, “Construction” Technical Committee.

The person responsible for the creation and maintenance of the technical documentation is

– Herr Dipl.-Ing. Christoph Neef  
Manager, Development Connecting and Lifting Systems, PFEIFER Seil- und Hebetchnik GmbH

PFEIFER Seil- und Hebetchnik GmbH  
Memmingen, 20.02.2015

ppa. Dipl.-Ing. Matthias Kintscher  
Manager, Business Area Connecting  
and Lifting Systems

i. V. Dipl.-Ing. Christoph Neef  
Manager, Development Connecting  
and Lifting Systems



**Enquiry**

PFEIFER SEIL- UND HEBETECHNIK GMBH  
Geschäftsbereich BAUTECHNIK  
Postfach 1754 · D-87687 Memmingen

**Fax**  
**08331-937342**

Building project

SENDER'S DETAILS

Company
Street
Town/Postcode
Contact name
Tel.
Email

## PFEIFER SAS Manhole Lifting System

PFEIFER SAS Manhole Lifting System



Item	Quantity	Reference no.	Type	Size/form	Unit price in EUR	Total price per item in EUR

Please take into account the **packing units**.

This order is based on the General Terms of Sales and Delivery of the PFEIFER company, of which you are aware.

**Total** **EUR**  
plus packing and shipping costs

Delivery address
(state only if different from the ordering address)

Date and signature



Lifting Anchor Systems  
Thread System



Lifting Anchor Systems  
BS Anchor System



Lifting Anchor Systems  
WK Anchor System



Fixing Systems  
DB Anchor 682  
for Permanent Fixing



Fixing Systems  
Socket Dowels  
Polyamide Sockets



Fixing Systems  
HK Assembly Anchor System



Connection Systems  
Column Shoe System  
Wall Shoe System



Connection Systems  
Stell Bearing  
Staircase Bearing VarioSonic



Connection Systems  
Sandwich Anchor System  
Delta Anchor System



Connection Systems  
Concrete Earthing System BEB



Reinforcement Systems  
VS®-Wire Rope Loop System



Reinforcement Systems  
PH Reinforcement Continuity System



Cable Tension Members  
Tension Rod System



Attachment Materials  
(Wire Ropes, Chains, Textiles)



Lashing Systems



Grabs for Reinforcing Steel  
Balancing Spreader Beams

This document is superseded when a new edition appears at [www.pfeifer.de](http://www.pfeifer.de).

Our products are sold by:



**J&P Sales Department**  
Connecting and Lifting Systems

■ **in Germany**

**Headquarters**

PFEIFER SEIL- UND  
HEBETECHNIK GMBH  
Dr.-Karl-Lenz-Straße 66  
D-87700 MEMMINGEN  
Telefon +49 (0) 83 31-937-312  
Telefax +49 (0) 83 31-937-342  
E-Mail [export-bt@pfeifer.de](mailto:export-bt@pfeifer.de)  
Internet [www.pfeifer.de](http://www.pfeifer.de)

Fundlandstraße 29  
D-45326 ESSEN  
Tel. 02 01-2 89 66-0  
Fax 02 01-2 89 66-20  
E-Mail [essen@jp-bautechnik.de](mailto:essen@jp-bautechnik.de)

Markircher Straße 14  
D-68229 MANNHEIM  
Tel. 06 21-4 84 03 40  
Fax 06 21-4 84 03 44  
E-Mail [mannheim@jp-bautechnik.de](mailto:mannheim@jp-bautechnik.de)

Lechstraße 21  
D-90451 NURNBERG  
Tel. 09 11-6 42 78 08  
Fax 09 11-6 42 84 72  
E-Mail [nuernberg@jp-bautechnik.de](mailto:nuernberg@jp-bautechnik.de)

■ **in Austria**

Pfeifer Seil- und Hebeteknik GmbH  
Klaus Neuhauser  
Gebietsverkaufsleitung  
Österreich Bautechnik  
Dr.-Karl-Lenz-Straße 66  
D-87700 Memmingen  
Telefon: +43 (0) 664-88311458  
Email: [kneuhauser@pfeifer.de](mailto:kneuhauser@pfeifer.de)

■ **in Denmark**

JORDAHL & PFEIFER  
Byggeteknik A/S  
Risgårdvej 66,  
DK-9640 Farsø  
Tel. +45-9863-1900  
E-Mail [info@jordahl-pfeifer.dk](mailto:info@jordahl-pfeifer.dk)

■ **in France**

JORDAHL / H-BAU France  
25, rue Lazare Carnot  
F-61000 ALENCON  
Tél +33-3 81 25 04 65  
Fax +33-3 81 25 07 96  
E-Mail [info@jordahl-hbau.fr](mailto:info@jordahl-hbau.fr)

■ **in Spain**

PFEIFER Cables y Equipos de  
Elevación, SLU.  
Avda. de los Pirineos,  
25 - Nave 20  
San Sebastián de los Reyes  
ES-28703 MADRID  
Tel. +34-916593185  
Fax +34-916593139  
E-Mail [p-es@pfeifer.de](mailto:p-es@pfeifer.de)  
ES-08820 BARCELONA  
Tel./Fax +34-93-6364662  
Móvil +34-64-9154948  
E-Mail [frieda@pfeifer.de](mailto:frieda@pfeifer.de)

■ **in Russia**

000 PFEIFER  
KANATI & PODJÖMNIJE TEHNOLOGII  
RU-119017 MOSCOW  
Pyzhevskiy pereulok,  
h.5, bld.1, office 108  
Tel. +7-495-363-01-27  
Fax +7-495-363-01-28  
E-Mail [info@pfeiferussia.com](mailto:info@pfeiferussia.com)

■ **in Ukraine**

JORDAHL & PFEIFER  
TECHNIKA BUDOWLANA  
ul. Pawlyka 17a  
76-018 IVANO-FRANKIVSK  
Tel. +380 67 442-85-78 (Eastern Region)  
Tel. +380 67 442-85-79 (Western Region)  
E-Mail [info@j-p.com.ua](mailto:info@j-p.com.ua)

■ **in Hungary**

PFEIFER GARANT KFT.  
Gyömrői út 128  
HU-1103 BUDAPEST  
Tel. +36-1-260 10 14  
Fax +36-1-262 09 27  
E-Mail [info@pfeifer-garant.hu](mailto:info@pfeifer-garant.hu)

■ **in Singapore**

J&P BUILDING SYSTEMS PTE LTD.  
No. 48 Toh Guan Road East  
#08-104 Enterprise Hub  
SG-SINGAPORE 608586  
Tel. +65-6569-6131  
Fax +65-6569-5286  
E-Mail [info@jnp.com.sg](mailto:info@jnp.com.sg)

■ **in Brazil**

PFEIFER CABOS DE AÇO E  
SISTEMAS DE IÇAMENTO LTDA.  
Rua da Regeneração, 465  
21040-170 RIO DE JANEIRO  
Tel. +55-21-2560-0673  
E-Mail [info@pfeifer-brasil.com](mailto:info@pfeifer-brasil.com)

■ **in the UAE**

EMIRATES GERMAN BUILDING  
MATERIALS TRADING (LLC)  
P.O. Box 18917  
UAE-DUBAI  
Tel. +971-4-2676644  
Fax +971-4-2676646  
E-Mail [gemirate@emirates.net.ae](mailto:gemirate@emirates.net.ae)

■ **in Switzerland**

Pfeifer Seil- und Hebeteknik GmbH  
Kurt Styger  
Gebietsverkaufsleitung  
Schweiz Bautechnik  
Dr.-Karl-Lenz-Strasse 66  
D-87700 Memmingen  
Telefon: +41 (0) 797 25 49 31  
Email: [kstyger@pfeifer.de](mailto:kstyger@pfeifer.de)

■ **in the United Kingdom**

J&P BUILDING SYSTEMS LTD.  
Unit 5 Thame Forty  
Jane Morbey Road  
GB-THAME, OXON OX9 3RR  
Tel. +44-1844-215200  
Fax +44-1844-263257  
E-Mail [enquiries@jp-uk.com](mailto:enquiries@jp-uk.com)

■ **in Czechia**

JORDAHL & PFEIFER  
STAVEBNÍ TECHNIKA S.R.O.  
Bavorská 856/14  
CZ-15500 PRAHA 5  
Tel. +420-272 700 701  
Fax +420-272 703 737  
E-Mail [info@jpcz.cz](mailto:info@jpcz.cz)

■ **in Romania**

S.C. JORDAHL & PFEIFER  
TEHNICĂ DE ANCORARE S.R.L.  
Str. Malului Nr. 7, et. 1  
RO-550197 SIBIU JUD. SIBIU  
Tel. +40 269 246 098  
Fax +40 269 246 099  
E-Mail [info@jordahl-pfeifer.ro](mailto:info@jordahl-pfeifer.ro)

■ **in Poland**

JORDAHL & PFEIFER  
TECHNIKA BUDOWLANA SP. Z O.O.  
ul. Wrocławska 68  
PL-55-330 KREPICE k/Wrocłavia  
Tel. +48-71-3968264  
Fax +48-71-3968105  
E-Mail [biuro@jordahl-pfeifer.pl](mailto:biuro@jordahl-pfeifer.pl)

► For all other export countries please contact our headquarters in Germany.