

KUNEX[®] Joint tapes

Technical information



Table of contents

KUNEX®

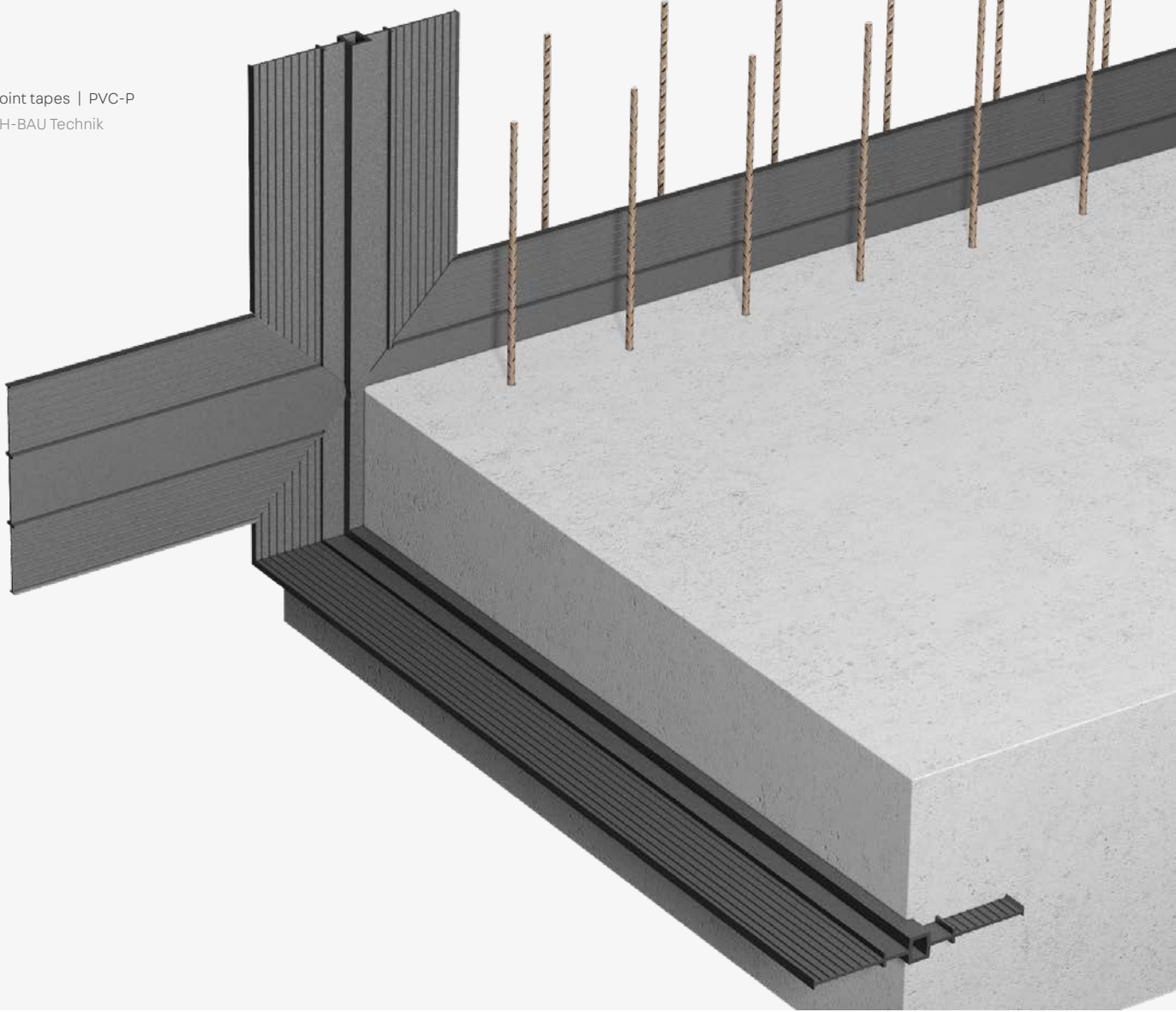
PVC-P joint tapes	4
<hr/>	
TPE joint tapes	15
<hr/>	
ABS construction joints	24
<hr/>	
ABS expansion joints	28
<hr/>	
Clamp joint	32
<hr/>	
Star tubes	40
<hr/>	
Puddle flanges	44
<hr/>	
Formed parts and accessories	48

Joint tape selection

According to DIN	58
<hr/>	
According to factory standard	62

Service

Order sheets	65
<hr/>	
Our synergy concept for your benefit	66



KUNEX® Joint tapes

For sealing construction joints and expansion joints in concrete

The product

KUNEX® interior or exterior thermoplastic joint tapes are used to seal construction and expansion joints in concrete. The tape profile is designed to extend the circulation path of standing water in the joint, thereby sealing the joint. Thermoplastic joint tapes can be welded together to ensure water-tightness.

Application

KUNEX® high-quality joint tapes are used in all horizontal or vertical construction and expansion joints to resist water under pressure, water not under pressure and soil moisture:

- Foundation slab/wall or wall/ceiling construction joint
- Floor/floor, wall/wall or ceiling/ceiling construction and expansion joints
- Dummy joints in in-situ concrete or element wall constructions

KUNEX® joint tapes are suitable for use in structures in accordance with the German watertight concrete guideline.



Benefits

- Joint tapes in line with DIN 18541
- Joint tapes in line with factory standard (with abP (German building code test certificate))
- Steel-reinforced joint tapes
- Joint tapes with eyelets
- Excellent welding properties

KUNEX® PVC-P joint tapes

Technical information

Materials

PVC-P raw material in the following quality classes:

- DIN 18541 compatible with bitumen (BV) or not compatible with bitumen (NB)
- Factory standard not compatible with bitumen (NB)

Compatibility with bitumen

Standard joint tapes correspond to quality class NB (not compatible with bitumen). The joint tapes are optionally available in the quality class BV (compatible with bitumen).

PVC-P in line with DIN 18541

Joint tapes made of soft PVC in the DIN quality class are ideal for use in structures subject to very high loads. These joint tapes comply with the high standards of DIN 18541. Continuous production inspections guarantee a consistently high level of quality. The special formula further improves the characteristic properties of these joint tapes. They are more elastic and have a higher elongation at break and tensile strength.

PVC-P in line with factory standard

Joint tapes made of soft PVC in the factory standard quality class are ideal for use in concrete structures subject to normal loads. The advantages of this material quality class are good workability, welding properties, resistance and optimised value for money.

Material parameters

Properties	DIN 18541	Factory standard
Tensile strength in line with DIN EN ISO 527	≥ 10 N / mm ²	≥ 9 N / mm ²
Elongation at break in line with DIN EN ISO 527	≥ 350 %	≥ 230 %
Hardness according to Shore A DIN 53505	67 ± 5	67 ± 5
Reaction to fire in line with DIN EN 13501	Normal flammability (building material class E)	Normal flammability (building material class E)
Temperature resistance	-20 to +60°C	-20 to +60°C

Transport and storage



Transportation

The joint tape must be loaded and unloaded carefully and secured during transportation. It must be examined for damage and completeness after delivery. At high outside temperatures, joint tapes must be transported without being subjected to any tension and then laid out at the installation site.



Storage in winter

In winter, joint tapes made from PVC-P must be stored in closed rooms and on a solid, dry base (transport pallet) where possible. We recommend storing the tapes in a heated room before use to make installation and processing easier.

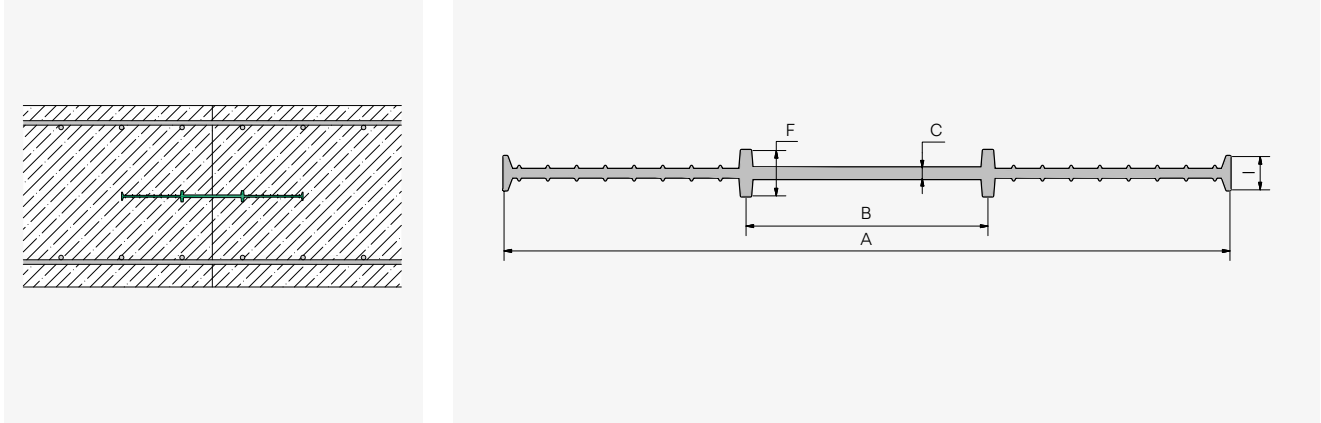


Storage in summer

It is important to store joint tapes in a cool and dry place in summer. Joint tapes must also be protected from direct sunlight (e.g. by covering them).

KUNEX® construction joint tape, interior

Technical data



According to DIN BV (compatible with bitumen)

Type	A	F	B	C	I
DIN 18541	mm	mm	mm	mm	mm
A240 DIN BV	240	15	80	3.5	11
A320 DIN BV	320	15	100	4.5	11

Joint tapes with widths between 150 mm and 320 mm can be supplied with eyelets on one (o) or both sides (o2) on request. The eyelets are spaced 200 mm apart.

The eyelets replace the joint tape clips that would otherwise be required to fix the joint tapes in place.

Please state the type number when ordering, e.g. A320 DIN.

According to DIN (not compatible with bitumen)

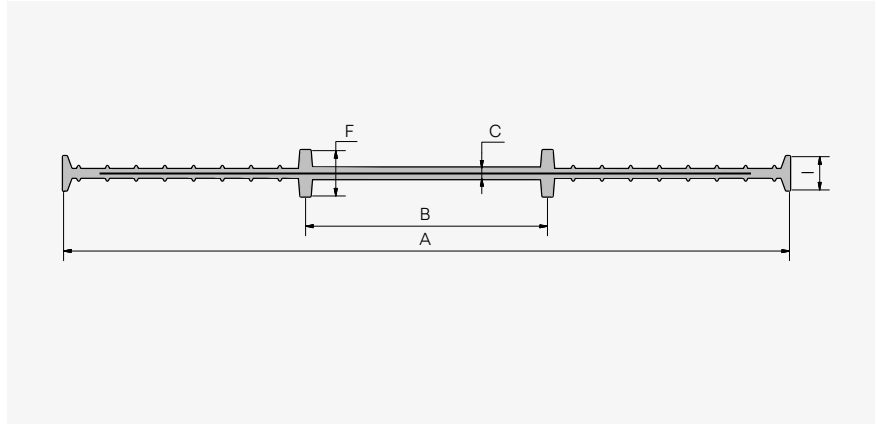
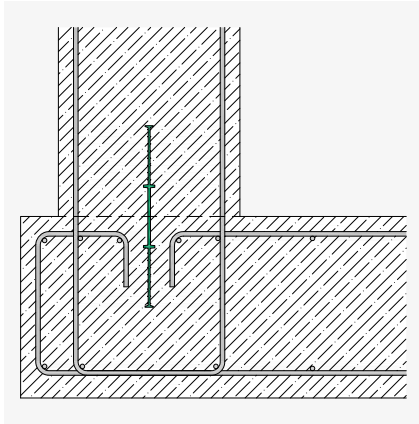
Type	A	F	B	C	I
DIN 18541	mm	mm	mm	mm	mm
A240 DIN	240	15	80	3.5	11
A320 DIN	320	15	100	4.5	11

According to factory standard with abP (not compatible with bitumen)

Type	A	F	B	C	I
Factory standard	mm	mm	mm	mm	mm
A100	100	8	47	2.0	8
A150	150	15	55	3.0	11
A190	190	15	70	3.0	11
A240	240	15	80	3.5	11
A320	320	15	100	4.5	11
A500	500	20	150	6.0	11

KUNEX® construction joint tape, interior, steel-reinforced

Technical data



According to factory standard with abP (not compatible with bitumen)

Type Factory standard	A mm	F mm	B mm	C mm	I mm
A100S	100	15	40	3.5	11
A100SL	150	15	58	3.5	11
A150S	150	15	58	3.5	11
A190S	190	15	78	4.0	11
A190SL	190	15	78	4.0	11
A190SL7	190	15	78	4.0	11
A190SL6	190	15	78	4.0	11
A190SL5	190	15	78	4.0	11
A240S	240	15	85	4.0	11
A240SL	240	15	85	4.0	11
A240SL7	240	15	85	4.0	11
A240SL6	240	15	85	4.0	11
A240SL5	240	15	85	4.0	11
A320S	320	15	100	4.5	11
A320SL	320	15	100	4.5	11

Joint tapes with widths between 150 mm and 320 mm can be supplied with eyelets on one (o) or both sides (o2) on request. The eyelets are spaced ≥ 200 mm apart.

The eyelets replace the joint tape clips that would otherwise be required to fix the joint tapes in place.

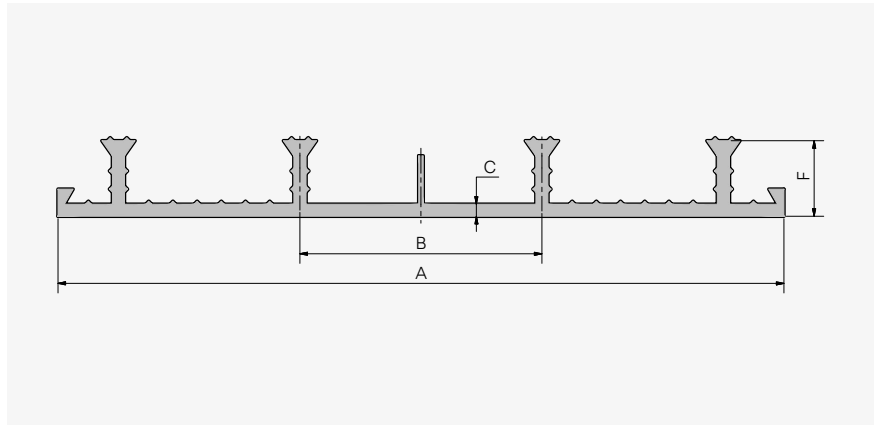
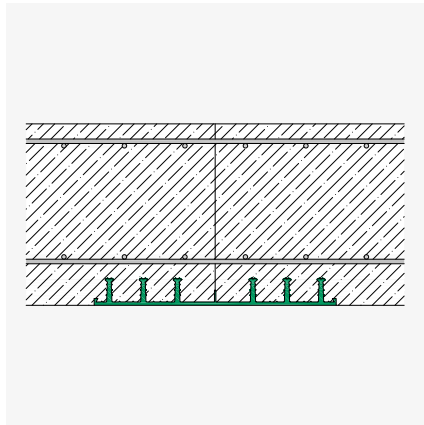
Please state the type number when ordering, e.g. A320S.

Bar spacing

S:	100 mm	=	10 × Spring steel insert/m
SL:	125 mm	=	8 × Spring steel insert/m
SL7:	150 mm	=	7 × Spring steel insert/m
SL6:	175 mm	=	6 × Spring steel insert/m
SL5:	200 mm	=	5 × Spring steel insert/m

KUNEX® construction joint tape, exterior

Technical data



According to DIN BV (compatible with bitumen)

Type DIN 18541	A mm	F mm	B mm	C mm	No. of stop anchors
AA240/20 DIN BV	240	20	80	4.0	4
AA240/25 DIN BV	240	25	80	4.0	4
AA240/35 DIN BV	240	35	84	4.0	4
AA320/25 DIN BV	320	25	100	4.0	6
AA320/35 DIN BV	320	35	100	4.0	6
AA500/35 DIN BV	500	35	120	4.0	8

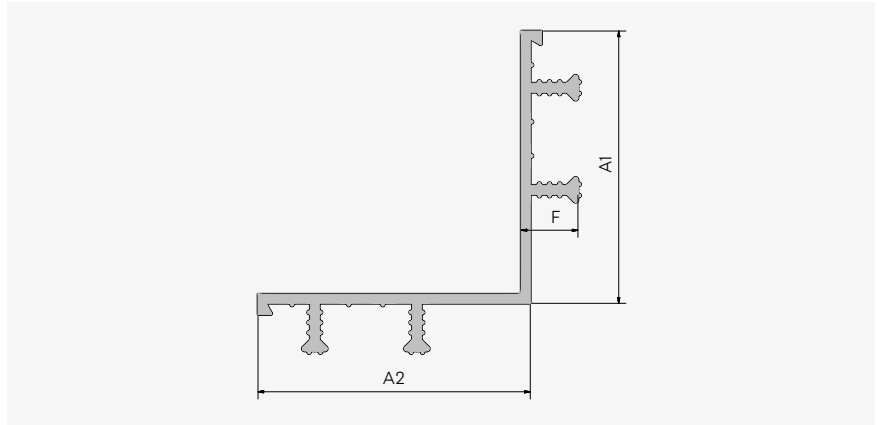
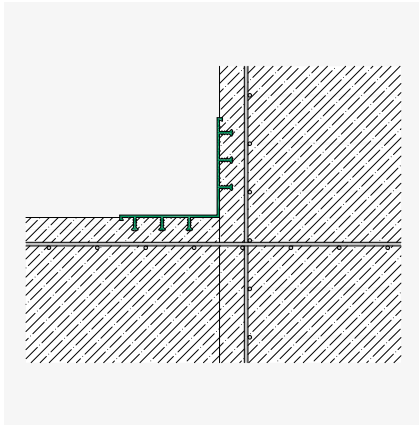
Please state the type number when ordering, e.g. AA320/25 DIN BV.

According to factory standard with abP (not compatible with bitumen)

Type Factory standard	A mm	F mm	B mm	C mm	No. of stop anchors
AA190/17	190	17	80	3.7	4
AA240/20	240	20	80	4.0	4
AA240/25	240	25	80	4.0	4
AA240/35	240	35	84	4.0	4
AA320/20	320	20	100	4.0	6
AA320/25	320	25	100	4.0	6
AA320/35	320	35	100	4.0	6
AA500/35	500	35	120	4.0	8

KUNEX® corner joint tape for construction joints

Technical data



According to DIN BV (compatible with bitumen)

Type DIN 18541-2	A1 mm	A2 mm	F mm	No. of stop anchors
AA120/120EA DIN BV	120	120	25	4
AA165/165EA DIN BV	165	165	25	6

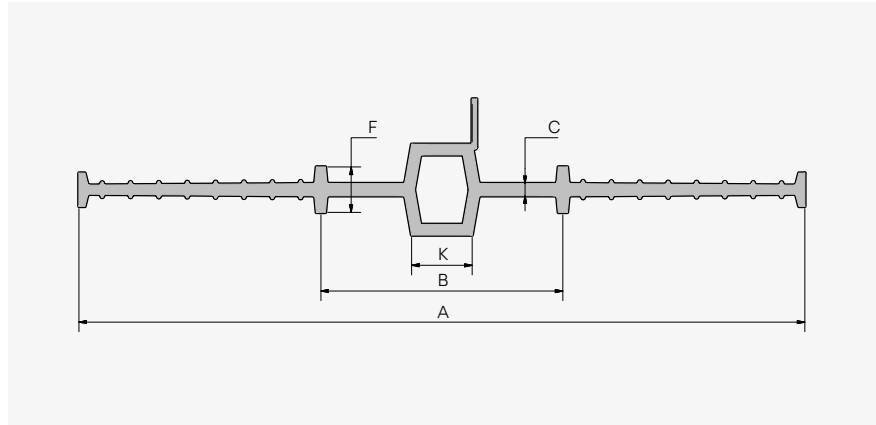
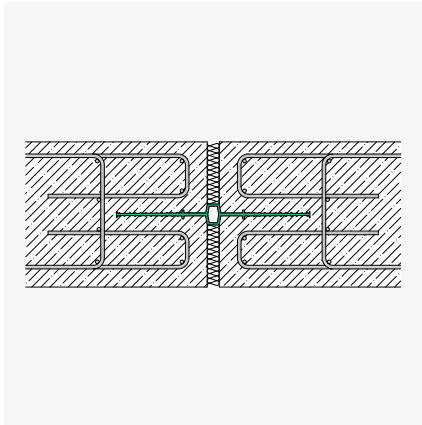
Please state the type number when ordering, e.g. AA120/120EA DIN BV.

According to factory standard with abP (not compatible with bitumen)

Type Factory standard	A1 mm	A2 mm	F mm	No. of stop anchors
AA165/165EA	165	165	25	6

KUNEX® expansion joint tape, interior

Technical data



According to DIN BV (compatible with bitumen)

Type	A	K	F	B	C
DIN 18541	mm	mm	mm	mm	mm
D240 DIN BV	240	20	15	80	4.0
D320 DIN BV	320	20	15	100	5.0
D500 DIN BV	500	20	20	150	6.0

Joint tapes up to 320 mm wide can be supplied with eyelets on one (o) or both sides (o2) on request. The eyelets are spaced 200 mm apart.

The eyelets replace the joint tape clips that would otherwise be required to fix the joint tapes in place.

D500 only available on request.

According to DIN (not compatible with bitumen)

Type	A	K	F	B	C
DIN 18541	mm	mm	mm	mm	mm
D240 DIN	240	20	15	80	4.0
D320 DIN	320	20	15	100	5.0
D500 DIN	500	20	20	150	6.0

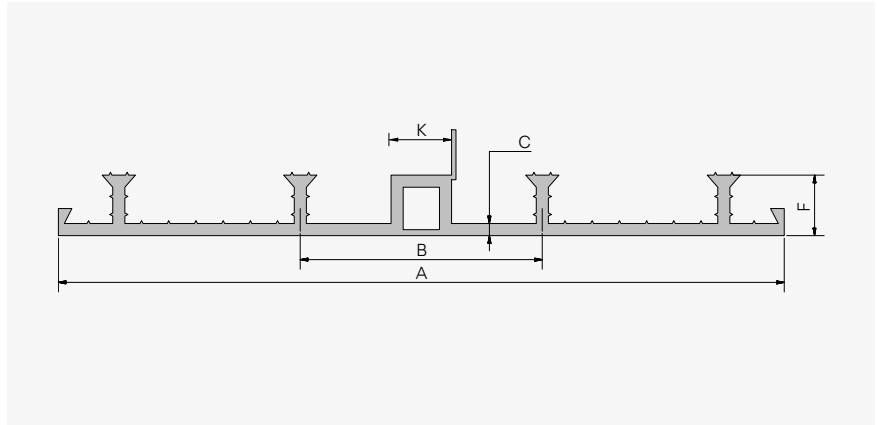
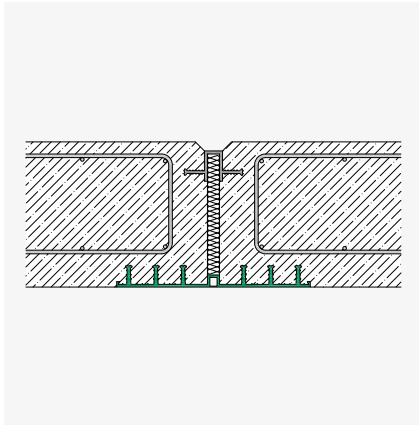
Please state the type number when ordering, e.g. D320 DIN.

According to factory standard with abP (not compatible with bitumen)

Type	A	K	F	B	C
Factory standard	mm	mm	mm	mm	mm
D150	150	10	15	55	3.5
D190	190	10	15	70	3.5
D240	240	20	15	80	4.0
D320	320	20	15	100	5.0
D500	500	20	20	150	6.0

KUNEX® expansion joint tape, exterior

Technical data



According to DIN BV (compatible with bitumen)

Type DIN 18541	A mm	K mm	F mm	B mm	C mm	No. of stop anchors
DA240/20 DIN BV	240	20	20	80	4.0	4
DA240/35 DIN BV	240	20	35	84	4.0	4
DA320/25 DIN BV	320	20	25	100	4.0	6
DA320/35 DIN BV	320	20	35	100	4.0	6
DA500/35 DIN BV	500	20	35	120	4.0	8

DA500/35 only available on request.

Please state the type number when ordering, e.g. DA320/25 DIN BV.

According to DIN (not compatible with bitumen)

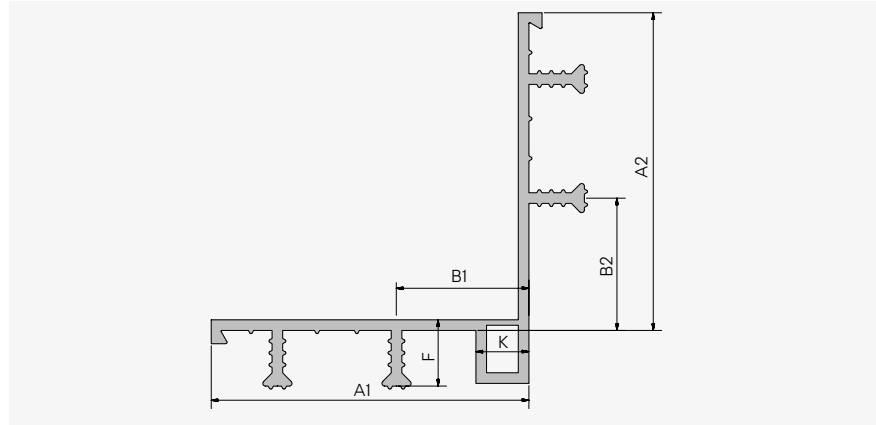
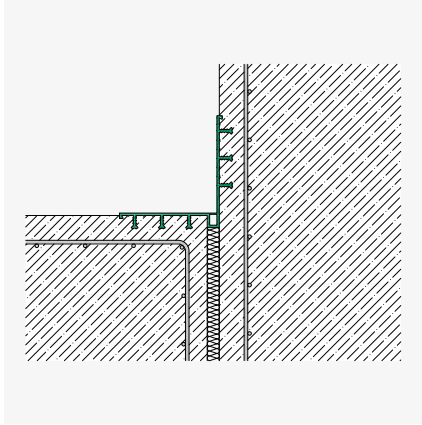
Type DIN 18541	A mm	K mm	F mm	B mm	C mm	No. of stop anchors
DA320/35 DIN	320	20	35	100	4.0	6
DA500/35 DIN	500	20	35	120	4.0	8

According to factory standard with abP (not compatible with bitumen)

Type Factory standard	A mm	K mm	F mm	B mm	C mm	No. of stop anchors
DA190/17	190	20	17	80	3.7	4
DA240/20	240	20	20	80	4.0	4
DA240/35	240	20	35	84	4.0	4
DA320/20	320	20	20	100	4.0	6
DA320/25	320	20	25	100	4.0	6
DA320/35	320	20	35	100	4.0	6
DA500/35	500	20	35	120	4.0	8

KUNEX® corner joint tape for expansion joints

Technical data



According to DIN BV (compatible with bitumen)

Type	A1 / A2 mm	K mm	F mm	B 1 / B2 mm	No. of stop anchors
DIN 18541-2					
DA120/120 EA DIN BV	120/120	20	25	50/50	4
DA165/165 EA DIN BV	165/165	20	25	50/50	6

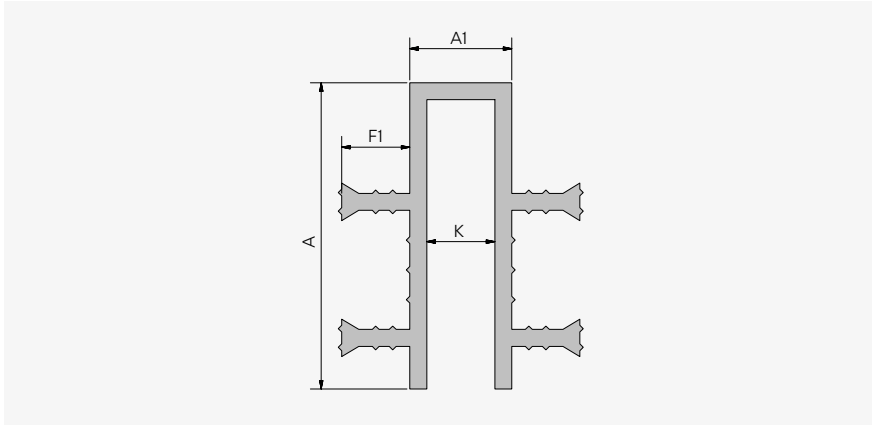
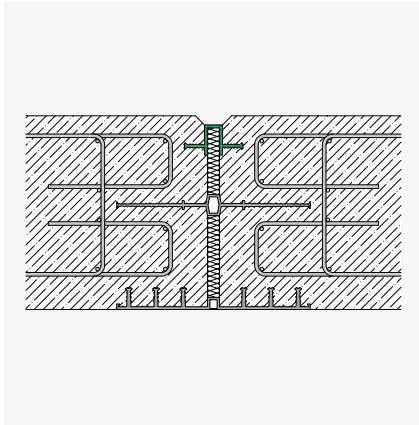
Please state the type number when ordering, e.g. DA165/165EA.

Gemäß Werksnorm (nicht bitumenverträglich)

Type	A1 / A2 mm	K mm	F mm	B 1 / B2 mm	No. of stop anchors
Factory standard					
DA120/120 EA	120/120	20	25	50/50	4
DA165/165 EA	165/165	20	25	50/50	6

KUNEX® joint end tape

Technical data



According to DIN BV (compatible with bitumen)

Type DIN 18541	A mm	F1 mm	B mm	K mm	No. of stop anchors
FA50/20 DIN BV	50	20	30	20	2
FA50/30 DIN BV	50	30	30	20	2
FA90/20 DIN BV	90	20	30	20	4
FA95/30 DIN BV	95	30	30	20	4
FA130/20 DIN BV	130	20	30	20	6

KUNEX® joint end tape in grey PVC-P for closing the surfaces of movement joints.

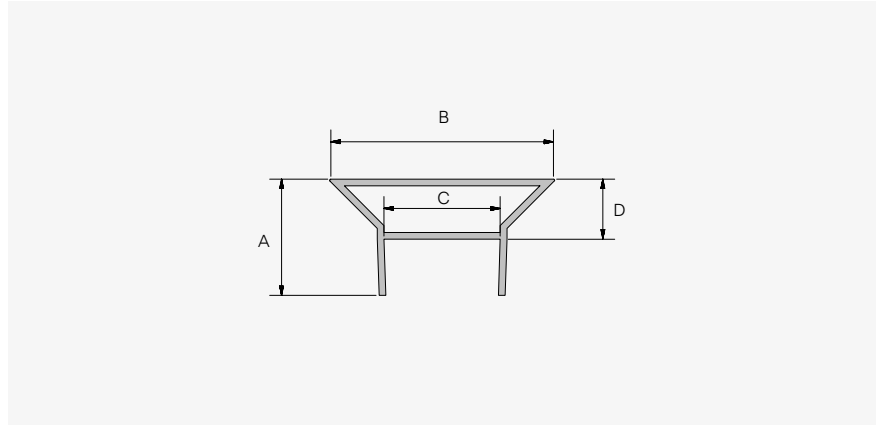
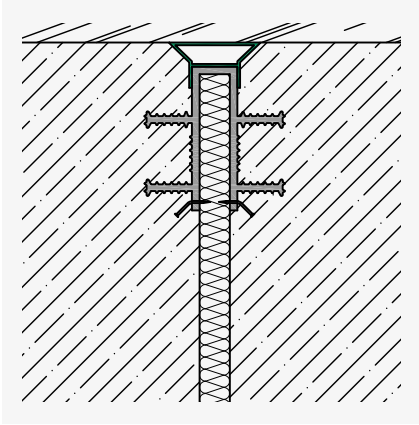
Please state the type number when ordering, e.g. FA130/20 DIN BV.

According to factory standard with abP (not compatible with bitumen)

Type Factory standard	A mm	F1 mm	B mm	K mm	No. of stop anchors
FA50/20	50	20	30	20	2
FA50/30	50	30	30	20	2
FA90/20	90	20	30	20	4
FA95/30	95	30	30	20	4
FA130/20	130	20	30	20	6

KUNEX® joint end strip

Technical data



Type	A mm	B mm	C mm	D mm	Length m
FL30/60	30	60	30	15	2.50

KUNEX® Joint end strip made from hard PVC is a suitable assembly aid for joint end tapes.

Please state the type number when ordering.

KUNEX® TPE joint tapes

Technical information

Materials

TPE raw material in the following quality class:

- Factory standard compatible with bitumen (BV)

TPE in line with factory standard

Joint tapes made of thermoplastic elastomer (TPE) combine the simple processing method of a plastic and the positive qualities of an elastomer (such as durability, flexibility at low temperatures, elongation at break and tensile strength). TPE joint tapes are PVC-free and completely recyclable. Their usability is governed by a German building code test certificate (abP), indicated by the German national conformity mark (Ü-Zeichen) and monitored accordingly.



Benefits

- Joint tapes in line with factory standard (with German building code test certificate (abP))
- Steel-reinforced joint tapes
- Better properties than PVC
- PVC- and halogen- free
- Completely recyclable
- Excellent resistance (e.g. liquid manure, slurry, silage effluent) with inspection report

Material parameters

Properties	Factory standard
Tensile strength in line with DIN EN ISO 527	≥ 9 N / mm ²
Elongation at break in line with DIN EN ISO 527	≥ 230 %
Hardness according to Shore A DIN 53505	80 ± 5
Reaction to fire in line with DIN EN 13501	Normal flammability (building material class E)
Temperature resistance	-40 bis +80 °C

Transport and storage



Transportation

The joint tape must be loaded and unloaded carefully and secured during transportation. It must be examined for damage and completeness after delivery. At high outside temperatures, joint tapes must be transported without being subjected to any tension and then laid out at the installation site.



Storage in winter

In winter, joint tapes made from PVC-P must be stored in closed rooms and on a solid, dry base (transport pallet) where possible. We recommend storing the tapes in a heated room before use to make installation and processing easier.

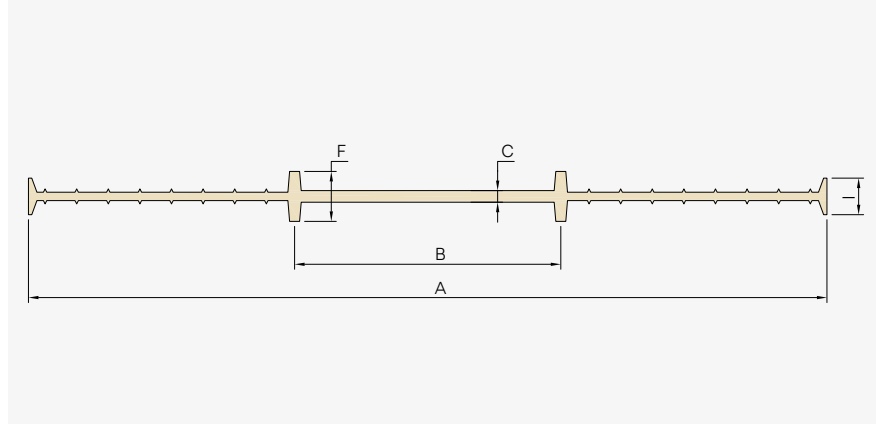
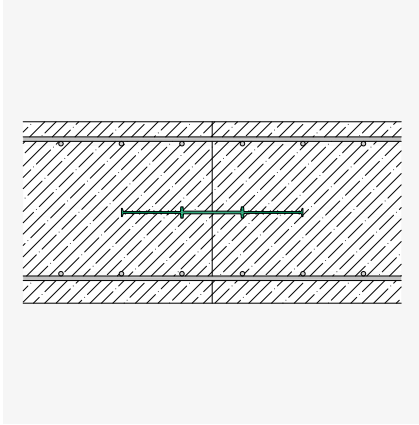


Storage in summer

It is important to store joint tapes in a cool and dry place in summer. Joint tapes must also be protected from direct sunlight (e.g. by covering them).

KUNEX® TPE construction joint tape, interior

Technical data



Type	A	F	B	C	I
Factory standard	mm	mm	mm	mm	mm
A240 TPE BV	240	14	80	3.5	11

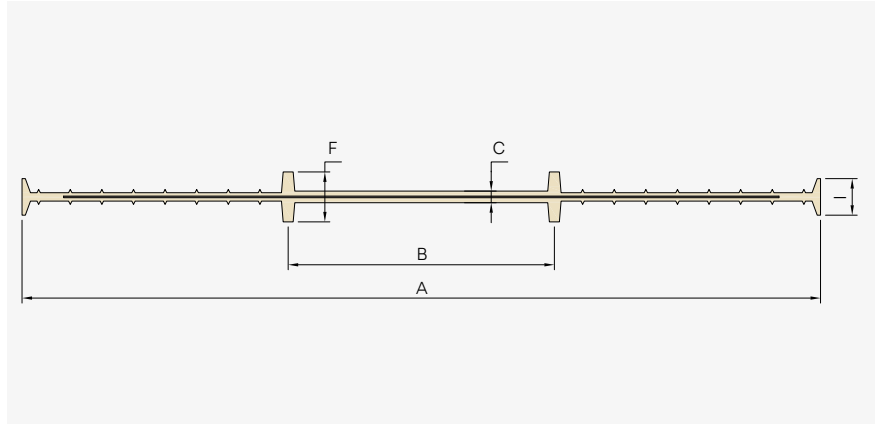
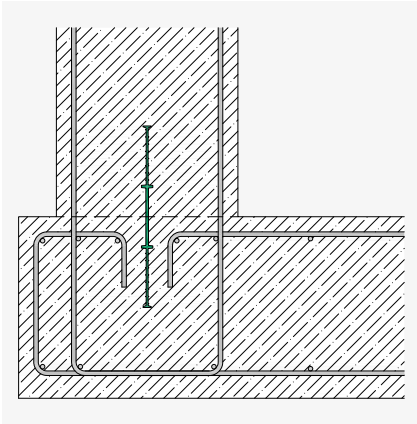
Joint tapes with widths between 150 mm and 320 mm can be supplied with eyelets on one (o) or both sides (o2) on request. The eyelets are spaced 200 mm apart.

The eyelets replace the joint tape clips that would otherwise be required to fix the joint tapes in place.

Please state the type number when ordering, e.g. A240 TPE BV.

KUNEX® TPE construction joint tape, interior, steel-reinforced

Technical data



Type	A	F	B	C	I
Factory standard	mm	mm	mm	mm	mm
A240SL7 TPE BV	240	15	85	4.0	11
A320SL7 TPE BV	320	15	100	4.0	11

Bar spacing

SL7: 150 mm = 7 × Spring steel insert/m

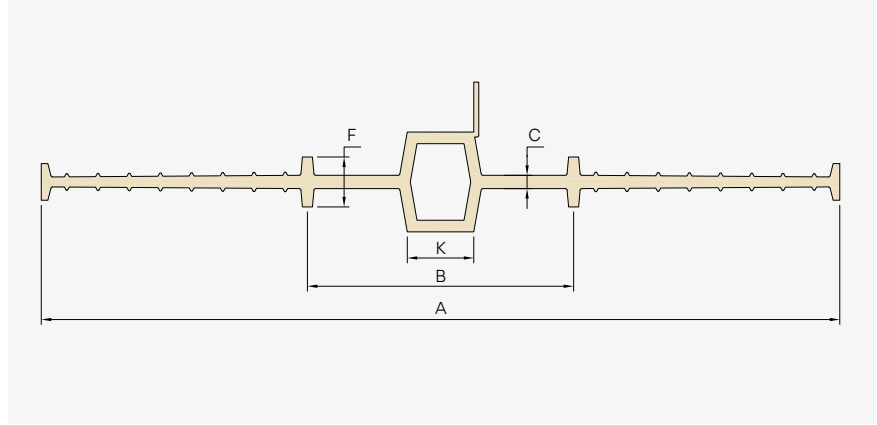
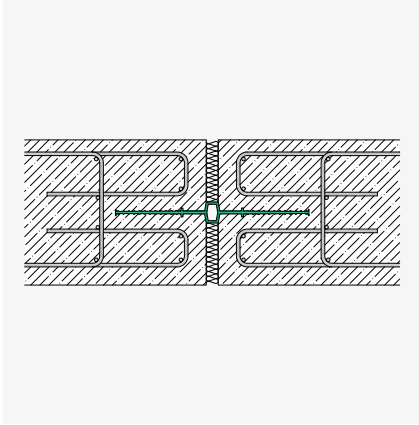
Joint tapes with widths between 150 mm and 320 mm can be supplied with eyelets on one (o) or both sides (o2) on request. The eyelets are spaced 200 mm apart

The eyelets replace the joint tape clips that would otherwise be required to fix the joint tapes in place.

Please state the type number when ordering, e.g. A320SL7 TPE BV.

KUNEX® TPE expansion joint tape, interior

Technical data



Type	A	K	F	B	C
Factory standard	mm	mm	mm	mm	mm
D240 TPE BV	240	20	15	80	4.0

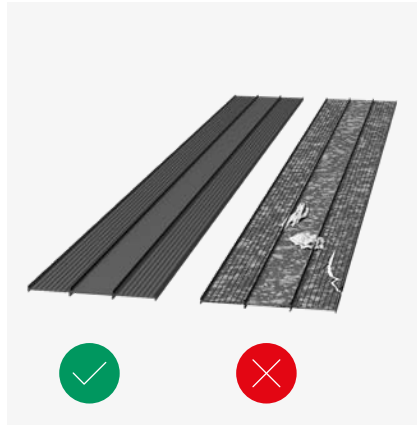
Joint tapes with widths between 150 mm and 320 mm can be supplied with eyelets on one (o) or both sides (o2) on request. The eyelets are spaced 200 mm apart.

The eyelets replace the joint tape clips that would otherwise be required to fix the joint tapes in place.

Please state the type number when ordering, e.g. D240 TPE BV.

Installation instructions

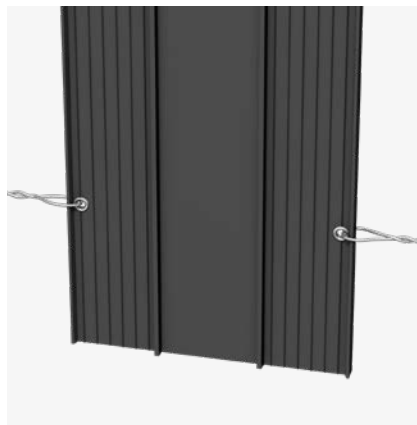
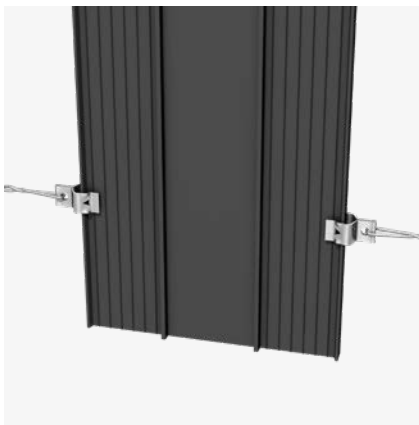
Installation and processing



Before installation

Check the joint tapes

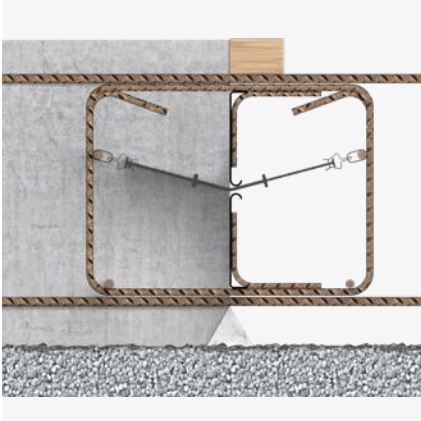
- for damage, contamination and deformation.
- Install without folds or distortions.
- Only process at material temperatures $> 0^{\circ}\text{C}$.
- Ensure that the concrete is free of ice when casting.



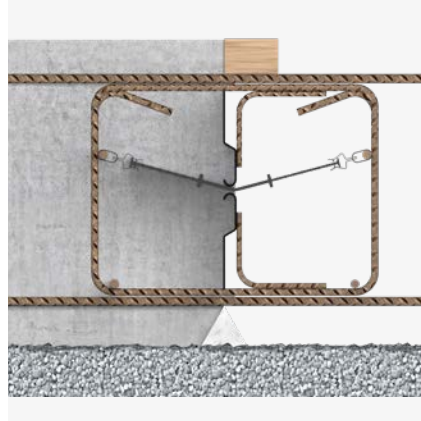
Attachment

Fixed in place with eyes or clips.
The maximum spacing must not exceed 250 mm.

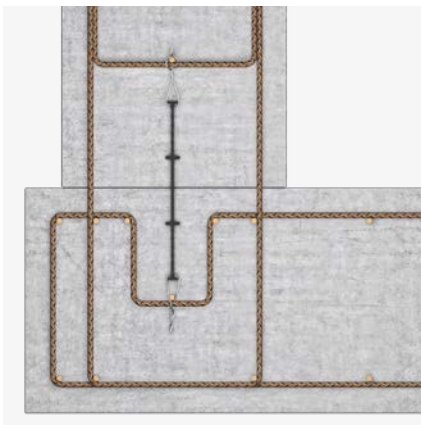
Positional stability



Floor/floor construction joint:
Shuttering with ABS R for rough joints.



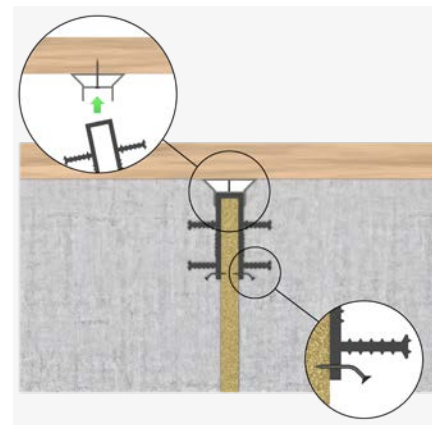
Floor/floor construction joint: Shuttering
with ABS V for interlocking joints.



Floor/wall construction joint:
Fixed to reinforcement.



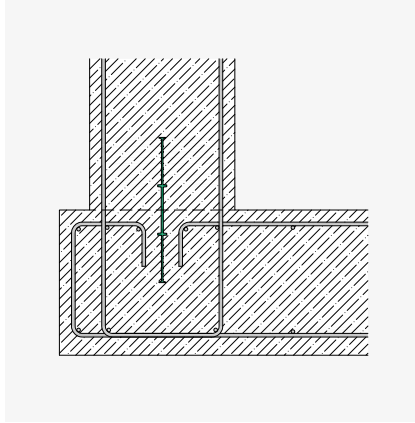
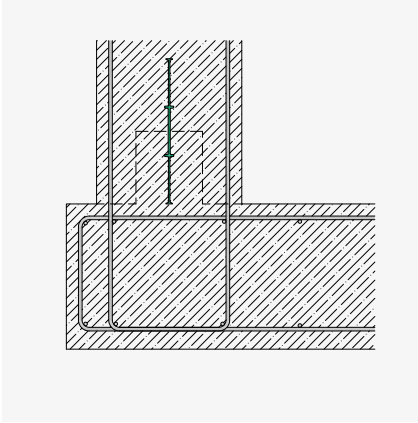
Wall/wall construction joint:
Fixed to the formwork.



Wall/wall expansion joint: Fixed to the
joint end tape using the joint end strip
on the formwork.

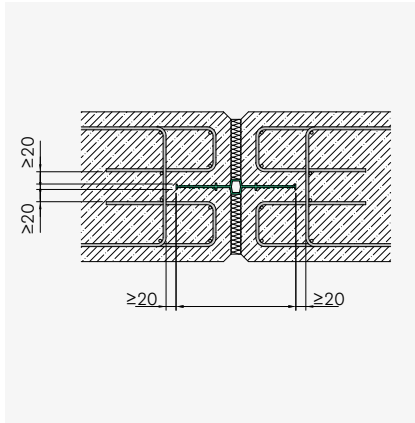
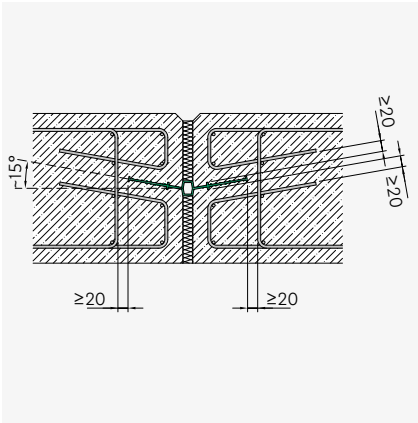


Bend horizontal joints into a V shape
at an angle of -15° . Only use nails in the
outer edge area of the joint tapes.



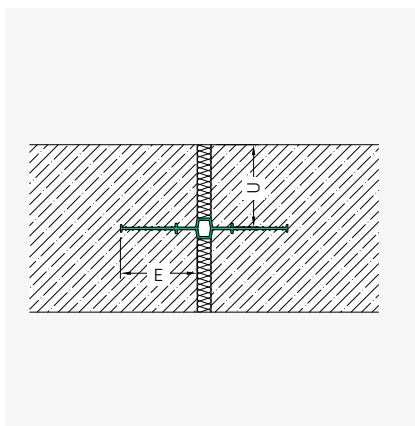
Floor slab/wall connection

Version with concrete upstand or without upstand for corresponding reinforcement layout.



Distance to reinforcement

The distance between the joint tape and the reinforcement must be at least 20 mm.

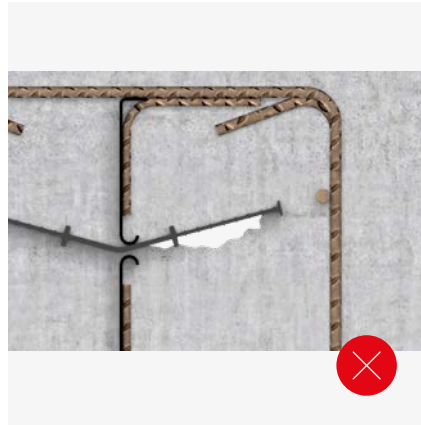
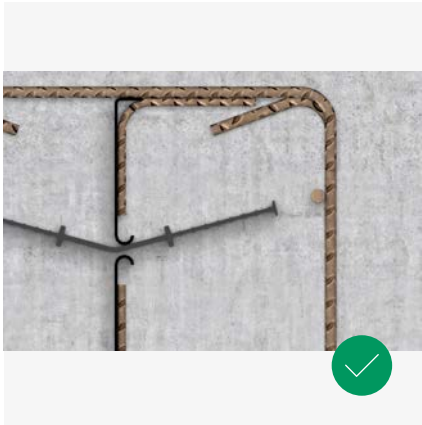


Concrete cover and anchoring depth

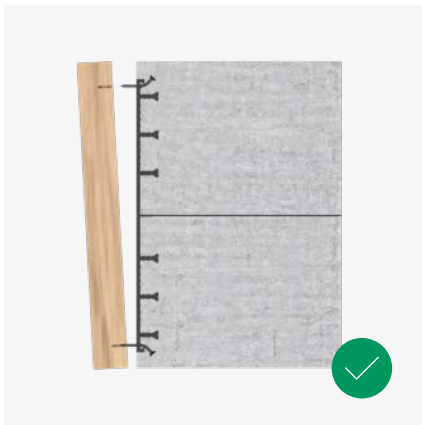
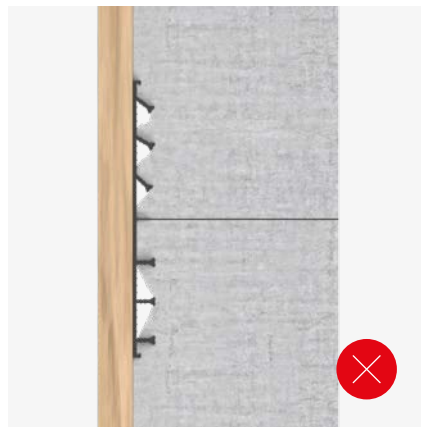
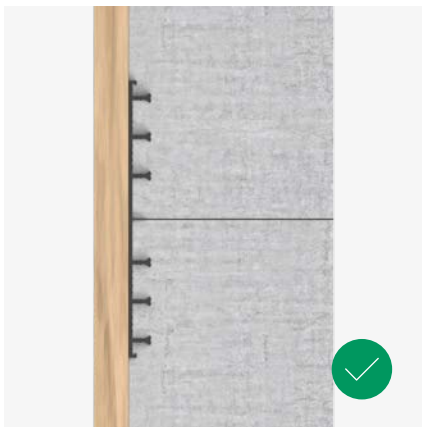
Interior joint tapes should roughly correspond to the component thickness and be positioned centrally in the component. The anchoring depth (E) must not exceed the cover (U).



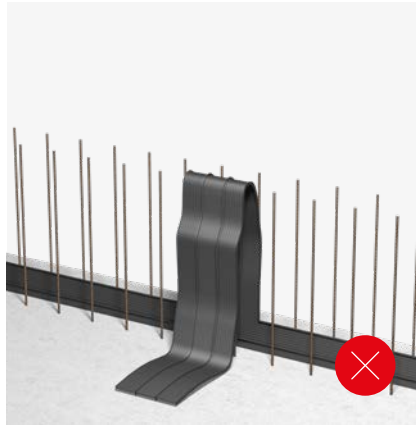
Minimum component thicknesses in accordance with the German watertight concrete guideline must be observed.



Casting



Removal



Care



Inspection

After removing the shuttering, inspect the visible areas of the joint tapes for damage. Rectify any defects immediately.



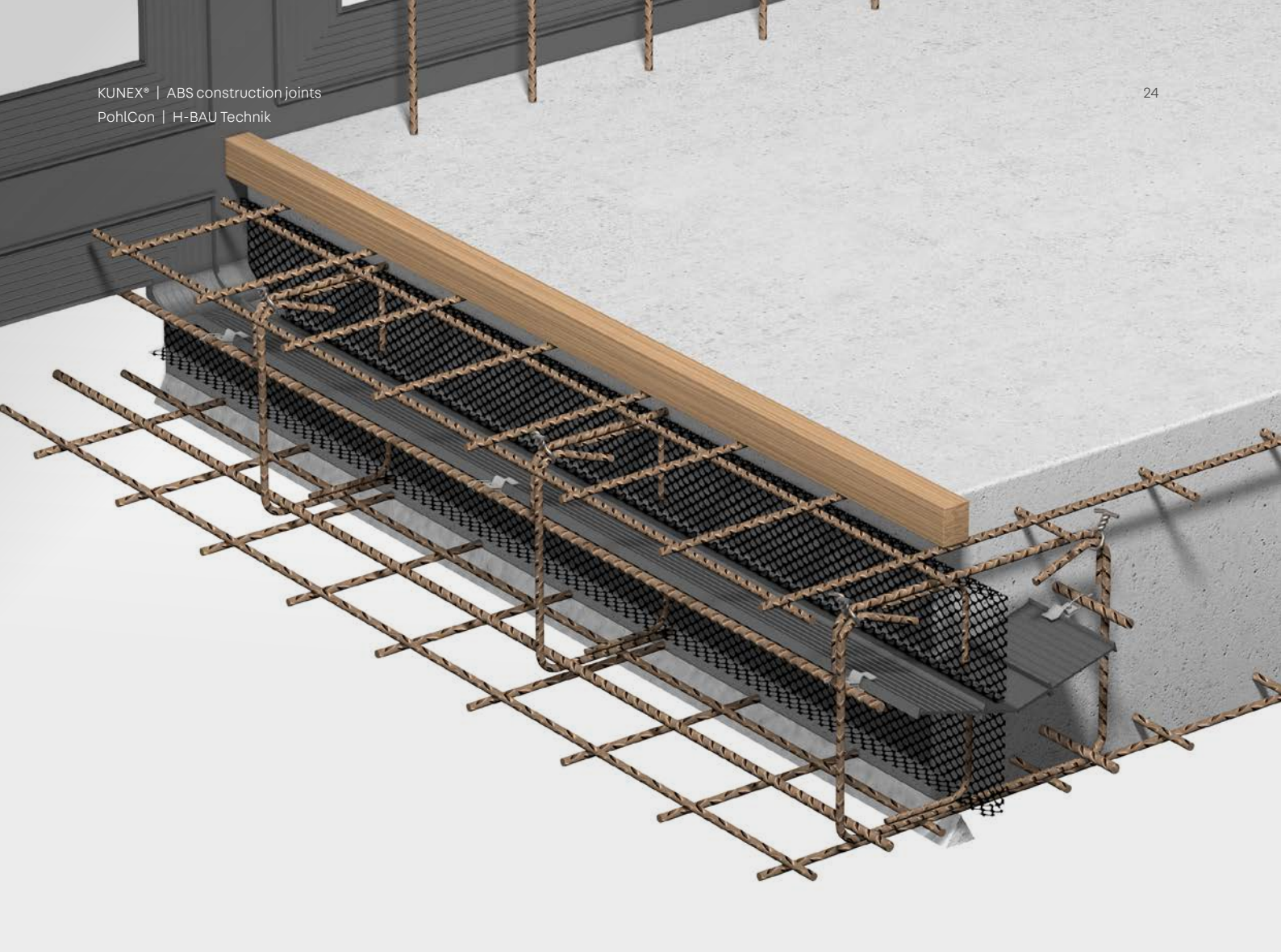
Documentation

The handling, processing and installation of the joint tapes on the construction site must be monitored and documented in line with the specific quality assurance procedures applicable to the property. Our CAD drawings of the joint tape systems and the test report for construction site joints in DIN 18197 can be used as a basis for this documentation.



Our Application Technology department will be happy to assist you with further solutions.

T +49 7742 9215-300
technik-hbau@pohlcon.com



KUNEX® ABS construction joints

Shuttering element for interior construction joint tapes

The product

The KUNEX® shuttering element is a combination of construction joint tape and profiled formwork. The joint is reliably sealed by the joint tape. The shuttering is created using dimensionally stable expanded metal elements reinforced using a special stirrup construction. The ABS element can be supplied for rough or interlocking joints (ABS A-R, ABS A-V).

Area of application

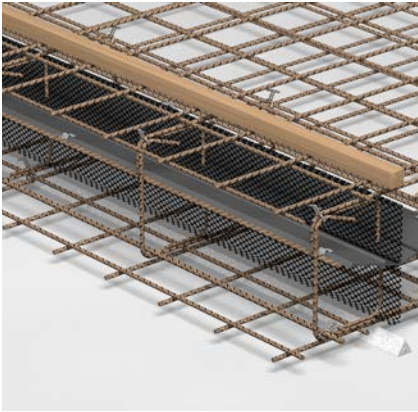
KUNEX® ABS is a shuttering element for construction joints in reinforced concrete components that are exposed to water (floors, walls and ceilings), particularly for applications that require bond joints with a high shear strength.



Benefits

- High shear strength in the bond joint
- For continuous reinforcement
- Two-part cage for quick joint tape installation
- Distance to reinforcement in line with DIN

Technical information



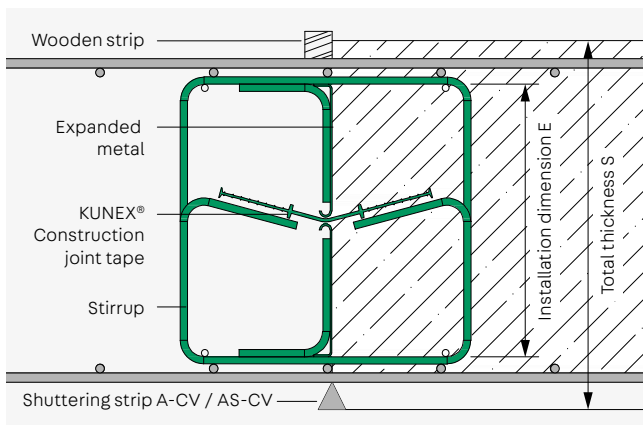
Basic information

- Two-part shuttering element for watertight construction joints in reinforced concrete construction
- Top and bottom parts consisting of expanded metal and steel stirrups
- Standard length of shuttering element: L = 2.4 m
- Special lengths and special forms available on request
- Installation dimension E = 150 - 500 mm

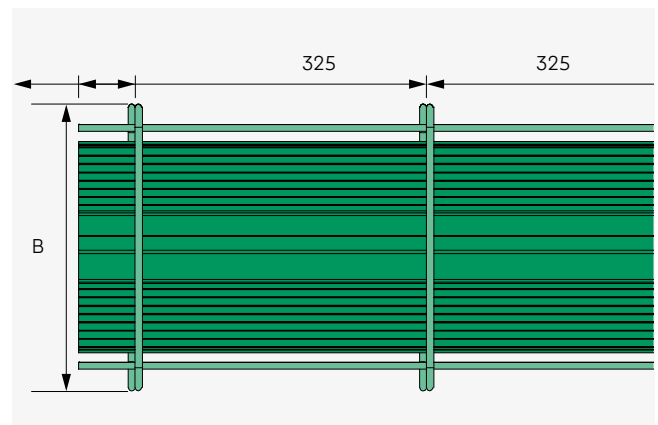
Accessories

- KUNEX® Construction joint tape A240 or A320
- Shuttering strip A-CV/AS-CV for reducing loss of fine particles, see page 26 and 27

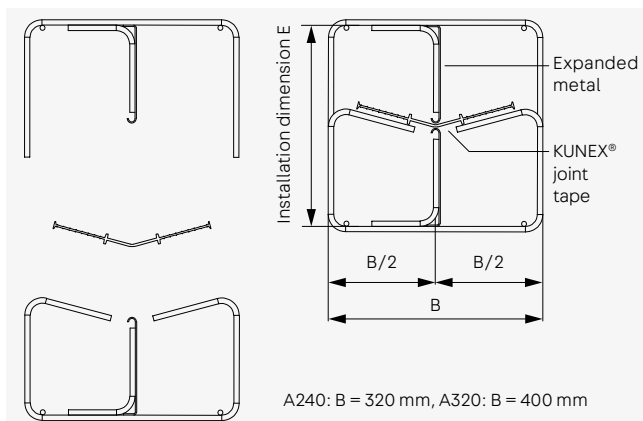
System cross section



Top view

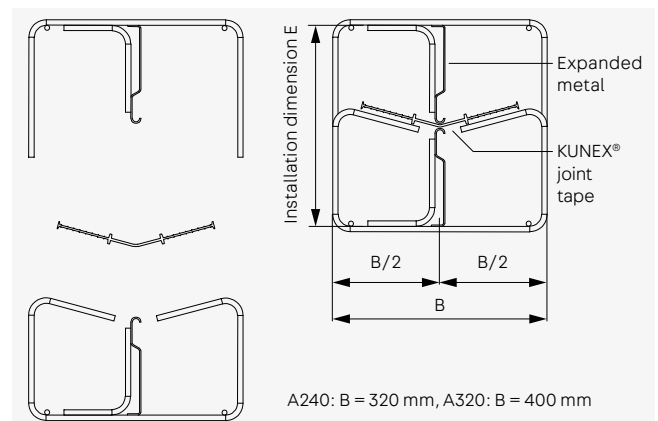


Versions



KUNEX® ABS A-R

Rough joint in line with EC2 | Installation dimension: 150 - 500 mm

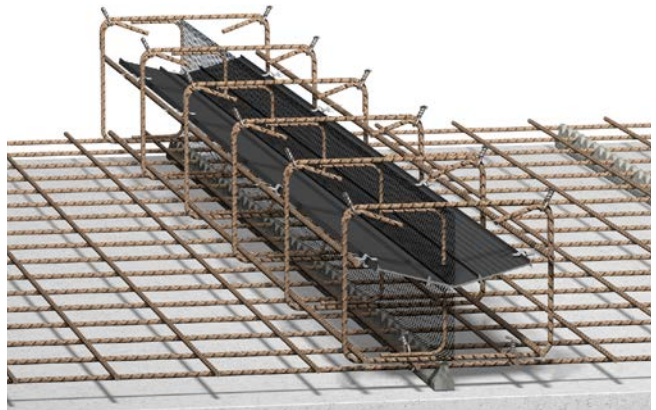
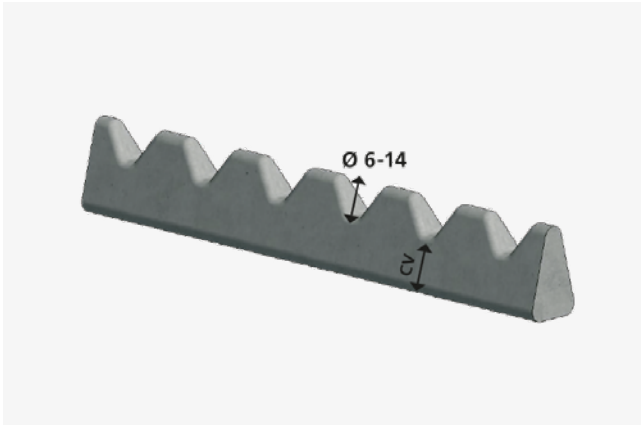


KUNEX® ABS A-V

Interlocking joint in line with EC2 | Installation dimension: 150 - 500 mm

Accessories

A-CV fibre concrete shuttering strip



The product

This spacer is made from fibre-reinforced concrete with a 50 mm reinforcement grid. It is an ideal complement to the KUNEX® ABS shuttering element with either a rough or interlocking design. The A-CV shuttering strip reliably reduces the leakage of concrete and the associated loss of fine particles to a minimum.



It can accommodate bar diameters from 6 to 14 mm and is available for concrete coverages from 20 to 60 mm thick.

Area of application

The A-CV shuttering strip also serves as a gauge when installing steel bars, eliminating the need to measure and mark a grid on the subbase. The A-CV shuttering strip is used for a range of concrete covering thicknesses when laying longitudinal and transverse reinforcements.

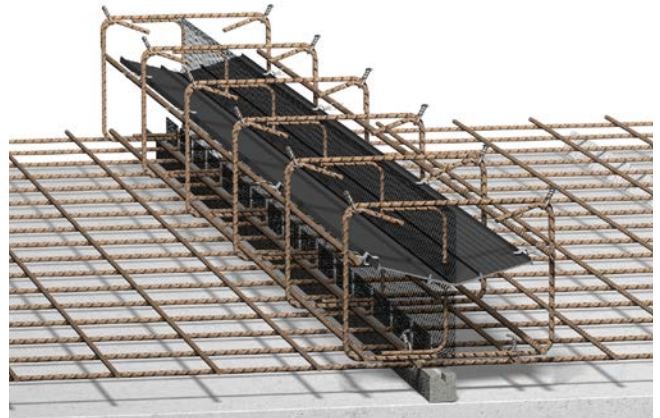
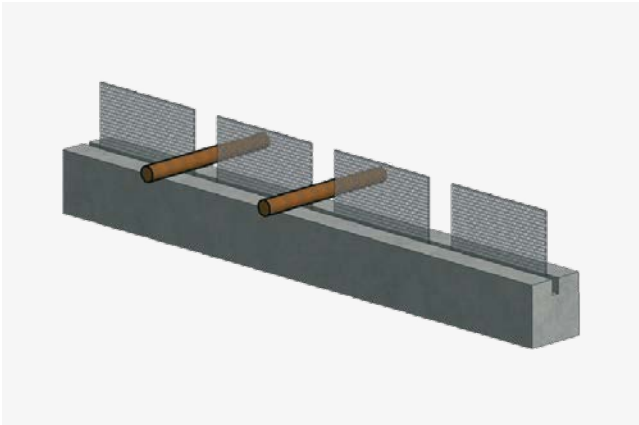


Benefits

- No seepage from construction joints
- Saves time
- Improves quality
- Universal use
- Simplifies on-site monitoring and rebar inspection

Type	Concrete cover mm	Height/length mm
A-CV 20	20	40/1000
A-CV 25	25	45/1000
A-CV 30	30	50/1000
A-CV 35	35	55/1000
A-CV 40	40	60/1000
A-CV 45	45	65/1000
A-CV 50	50	70/1000
A-CV 60	60	80/1000

AS-CV fibre concrete shuttering strip



The product

Spacers ensure that the reinforcements are covered with concrete and shuttering elements provide a simple and economical way of making construction joints watertight. However, these sections of the construction joint shuttering are not normally closed. This allows concrete to leak out, something which is not conducive to achieving a geometrically perfect joint. These sections of the construction joint shuttering are not normally closed. This allows concrete to leak out, something which is not conducive to achieving a geometrically perfect joint. A huge number of fine particles are washed out. This not only impacts the watertightness of the concrete in the barrier layer, but also affects the quality of the next casting section. The fibre concrete shuttering strip prevents fine particles from leaking out and also ensures a homogeneous watertight concrete quality in the area of the joint.



It can accommodate rebar of any diameter.

This makes it the perfect installation aid for steel-bar reinforcements.

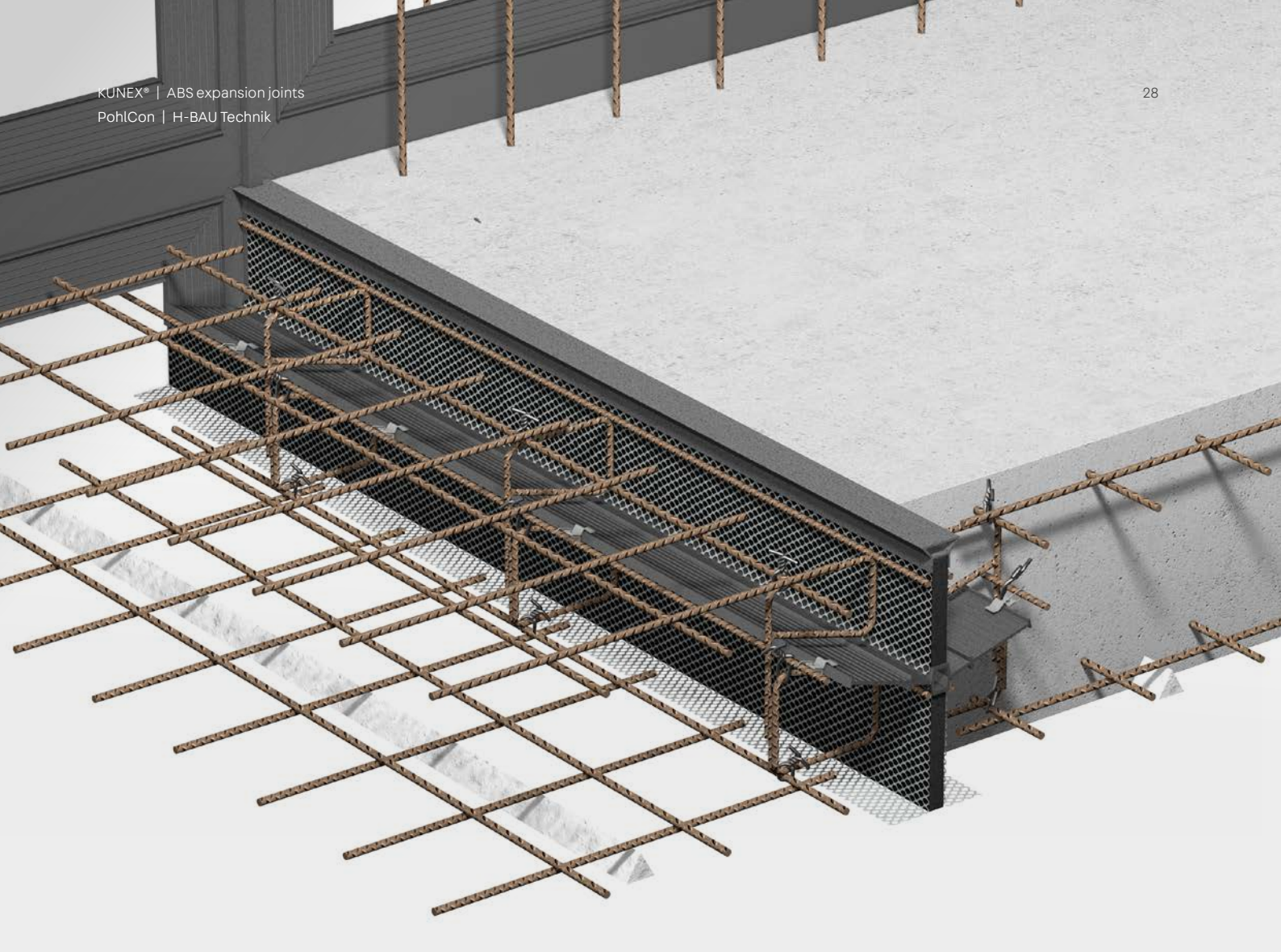


Benefits

- Perfectly geometric formation of construction joints
- Ensures that the watertight concrete is homogeneous
- Unhindered cross-sectional formation in the second casting section over the entire slab thickness
- Perfect rebar spacing without measurement

Type	Concrete cover mm	Total height/length mm
AS-CV 30/100/80	30	110/1000
AS-CV 30/150/80	30	110/900
AS-CV 30/200/80	30	110/1000
AS-CV 35/100/80	35	115/1000
AS-CV 35/150/80	35	115/900
AS-CV 35/200/80	35	115/1000
AS-CV 40/100/80	40	120/1000
AS-CV 40/150/80	40	120/900
AS-CV 40/200/80	40	120/1000
AS-CV 50/100/80	50	130/1000
AS-CV 50/150/80	50	130/900
AS-CV 50/200/80	50	130/1000

Please state the diameter of the rebar being used.



KUNEX® ABS expansion joints

Shuttering element for interior expansion joint tapes

The product

Two-part shuttering element for the easy installation of interior KUNEX® expansion joint tapes in watertight reinforced concrete constructions with a joint width of 20 mm. KUNEX® shuttering elements for expansion joints are available in many different heights and are suitable as standard for floor slabs up to 500 mm thick.

Area of application

KUNEX® ABS D is used in any application where the plans must take expansion joints caused by deformation into consideration, such as floor slabs in terraced houses. KUNEX® ABS D elements are used especially for watertight reinforced concrete components that have high requirements for both impermeability and deformability.



Benefits

- Reliably seals straight expansion joints in floor slabs
- Two-part cage for quick joint tape installation
- Distance to reinforcement in line with DIN

Technical information



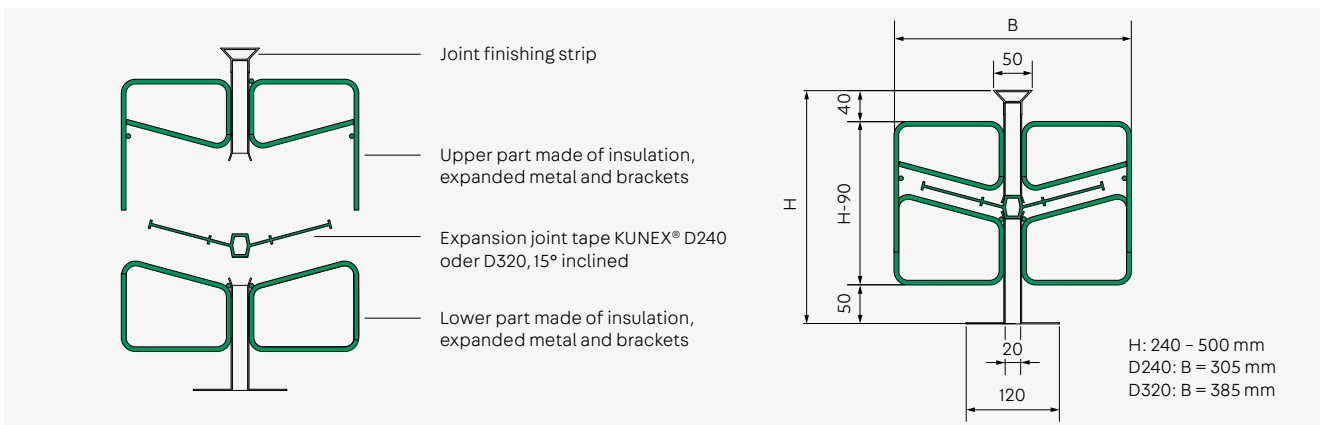
Basic information

- Self-supporting, two-part element for shuttering and sealing straight expansion joints in floor slabs and ceilings
- Top and bottom parts consisting of expanded metal, steel stirrups and insulation (EPP)
- PVC-U joint end strip
- Standard length of shuttering element: L = 2.4 m
- Special lengths available on request
- Possible slab thicknesses
 H = 240 - 500 mm

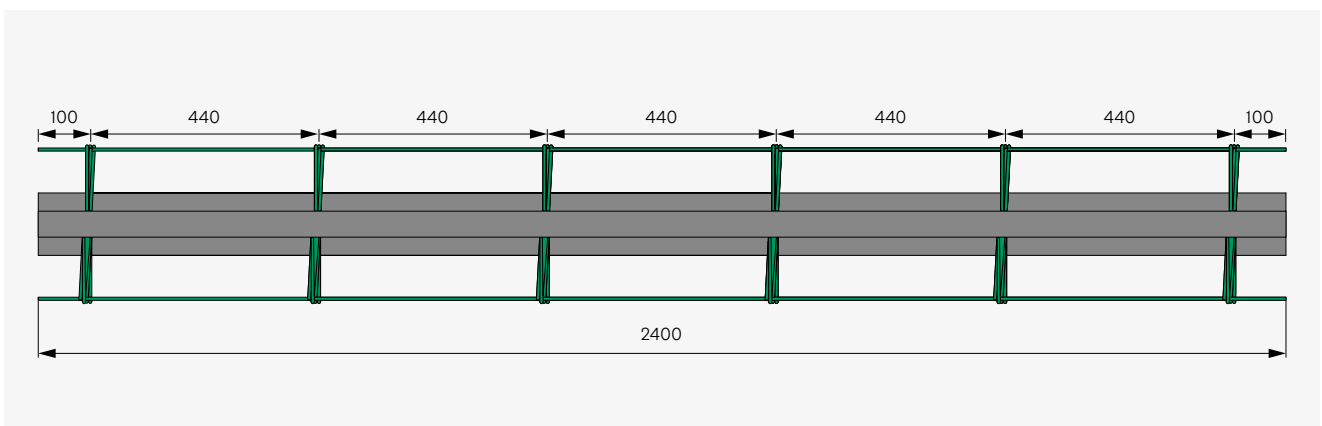
Accessories

- KUNEX® D240 or D320 expansion joint tape

System cross section

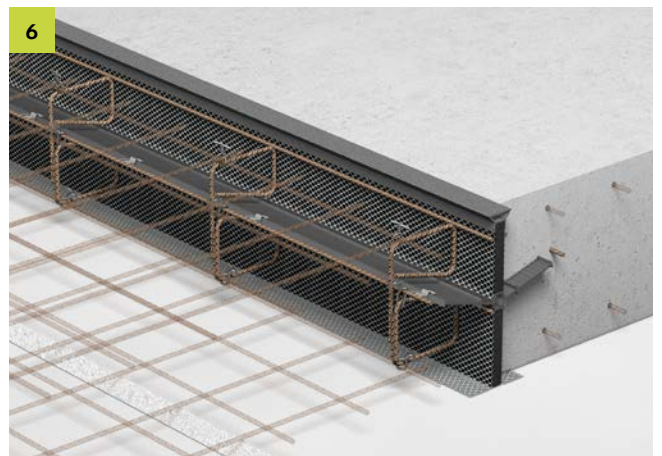
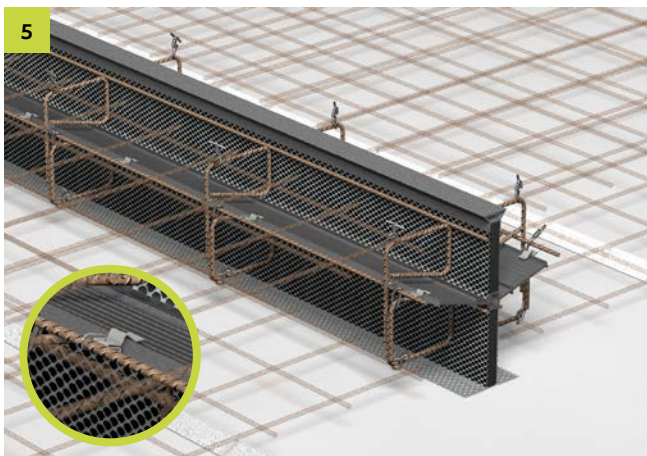
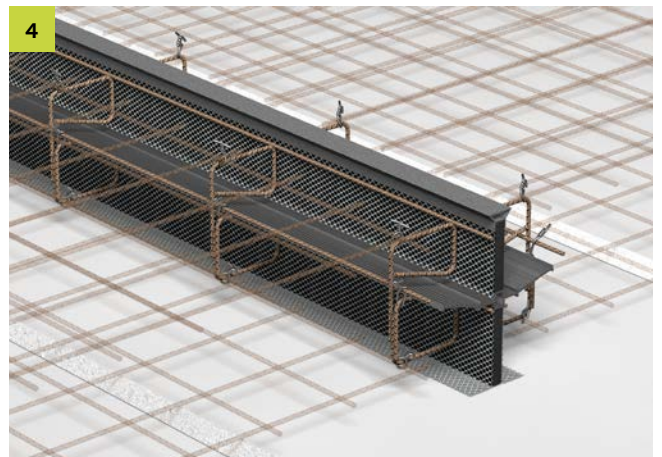
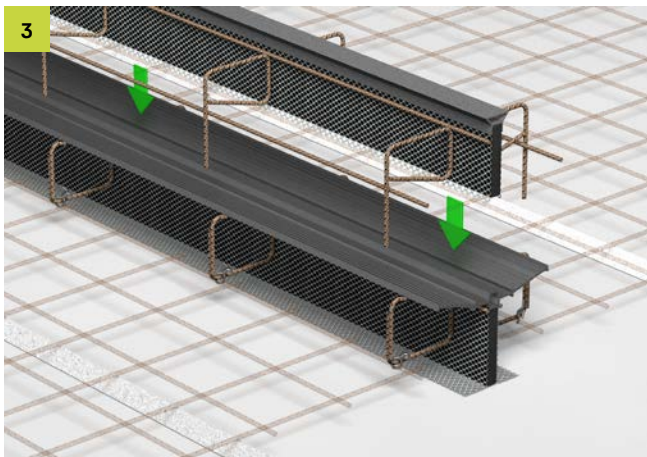
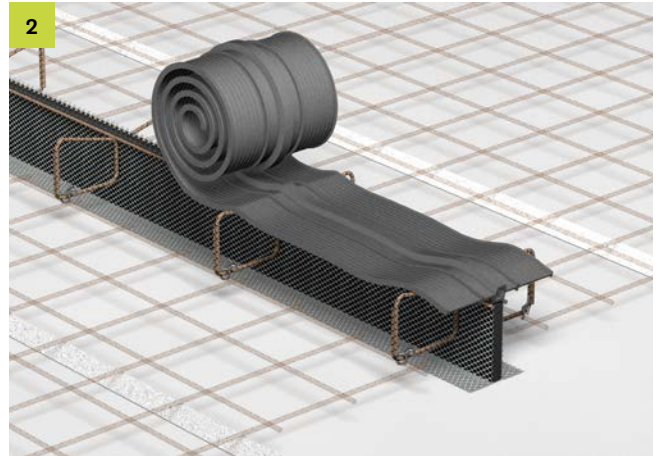
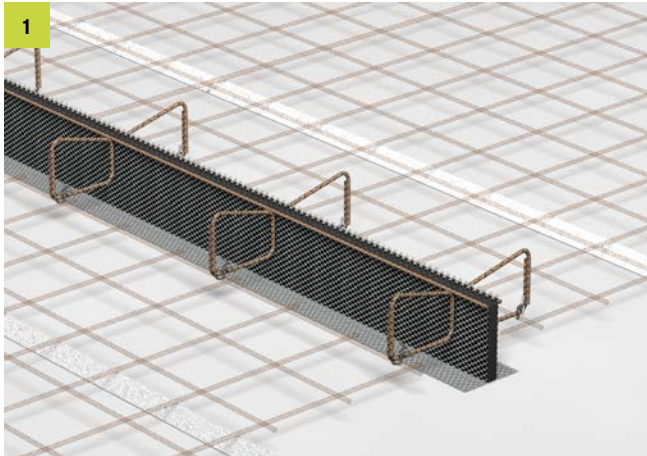


Top view



Installation instructions

Floor/floor and ceiling/ceiling





KUNEX® Clamp joint

Connections between new and existing components

The product

KUNEX® clamp joints are the ideal solution to the complex problems posed by joining a new building to an old building. The system consists of primer, joint tapes according to DIN 18541-2, steel profiles, anchors and a crepe rubber strip. The clamp joint works by pressing the joint tape onto the existing stock using clamp profiles and integrating the joint tape into the newly cast concrete components.

Application

The KUNEX® clamp joint is used to create watertight movement joints in building connections. The movement joint can be up to 30 mm wide and the resulting deformation (v_r) can be up to 20 mm. The system is suitable for zones subject to repeated wet and dry cycles and meets the requirements of usage class **A for stress classes 1 and 2 in accordance with the German watertight concrete guideline.**



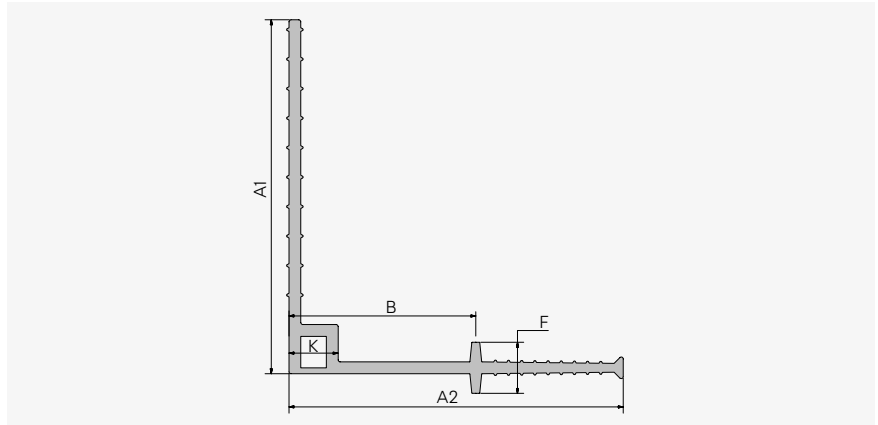
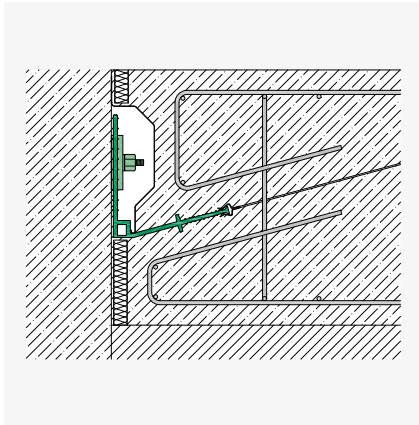
Benefits

- With German building code test certificate (abP)
- Tested system solution with German building code test certificate (abP)*
- Components from a single source
- Joint tapes with excellent welding properties
- Special custom solutions

*Tested up to 2.5 bar; 0.5 bar permitted in accordance with the German building code test certificate (abP) (safety factor of 5.0).

KUNEX® interior clamp joint tape

Technical data



According to DIN BV (compatible with bitumen)

Please state the type number when ordering, e.g. D180/170K DIN.

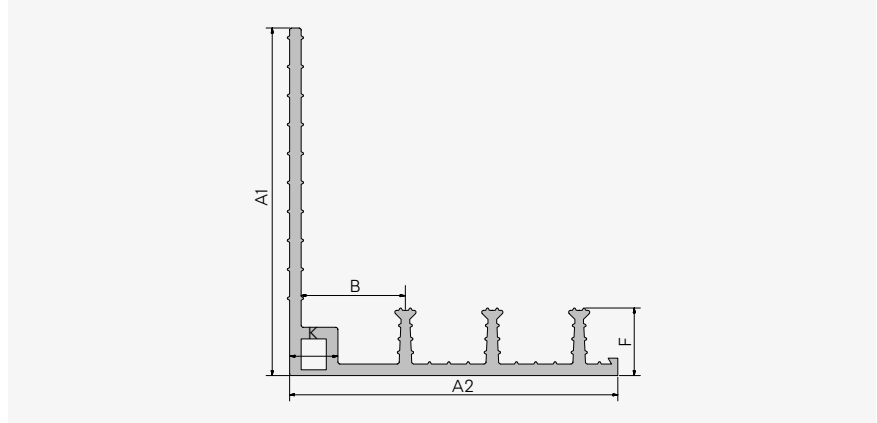
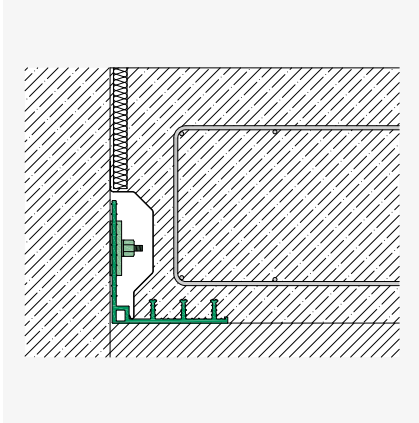
Type DIN 18541-2	A1/A2 mm	K mm	F mm	B mm
D180/170K DIN BV	180/170	20	26	95

According to DIN (not compatible with bitumen)

Type DIN 18541-2	A1/A2 mm	K mm	F mm	B mm
D180/170K DIN	180/170	20	26	95

KUNEX® exterior clamp joint tape

Technical data



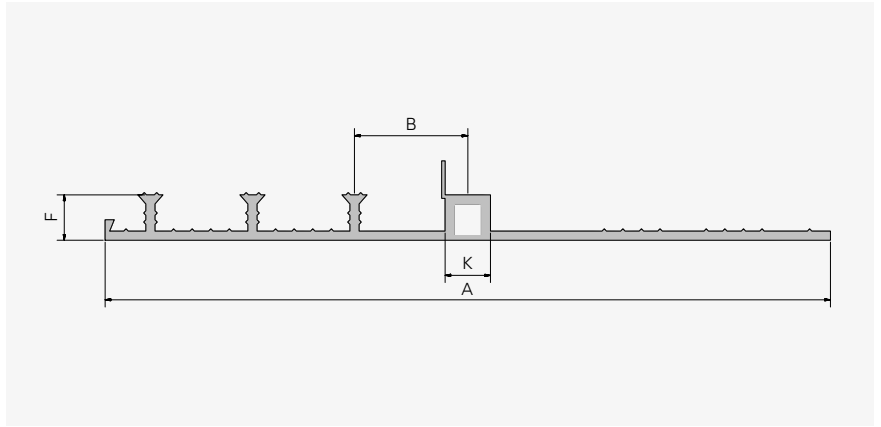
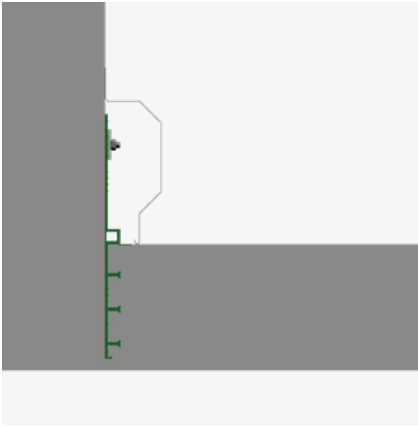
According to DIN BV (compatible with bitumen)

Type DIN 18541-2	A1/A2 mm	K mm	F mm	B mm	No. of stop anchors
DA180/170K DIN BV	180/170	20	35	60	3

Please state the type number when ordering, e.g. DA180/170K DIN.

According to DIN (not compatible with bitumen)

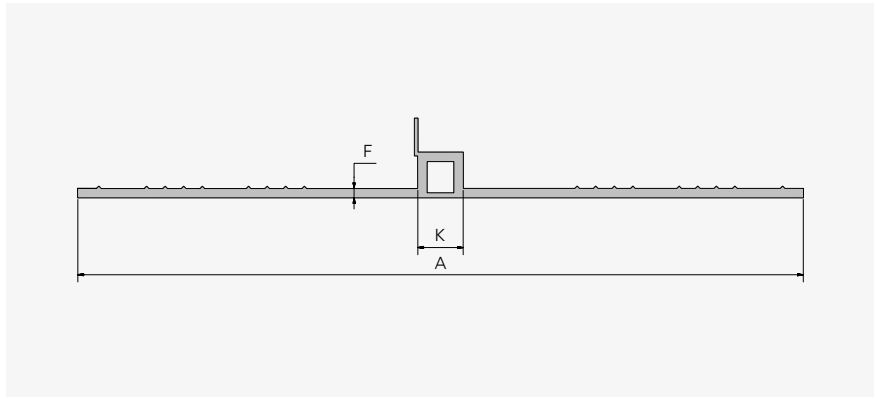
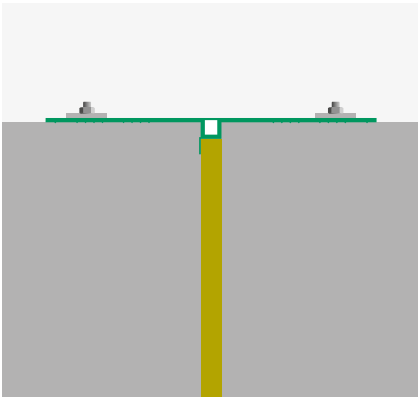
Type DIN 18541-2	A1/A2 mm	K mm	F mm	B mm	No. of stop anchors
DA180/170K DIN	180/170	20	35	60	3



According to DIN BV (compatible with bitumen)

Type DIN 18541-2	A mm	K mm	F mm	B mm	No. of stop anchors
DA 320 KE DIN BV	320	20	20	50	3

KUNEX® PVC-P clamp joint tape for sealing joints between new concrete components and existing buildings.



According to DIN BV (compatible with bitumen)

Type DIN 18541-2	A mm	K mm	F mm
DA 320 KB DIN BV	320	20	4

KUNEX® PVC-P clamp joint tape for sealing joints between two existing components.

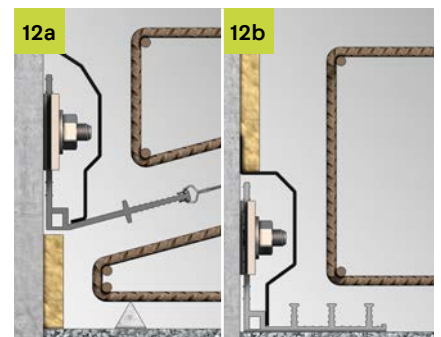
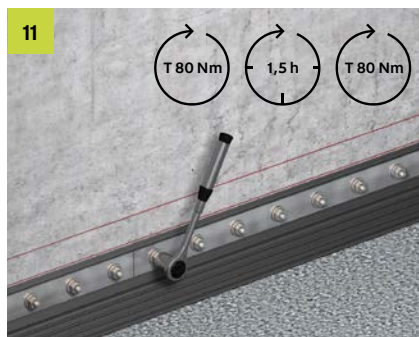
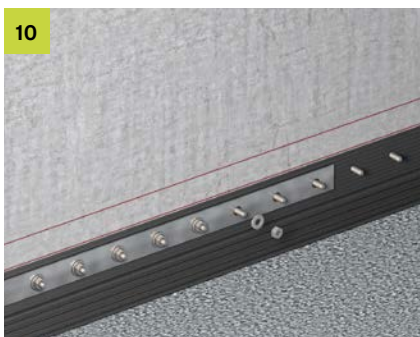
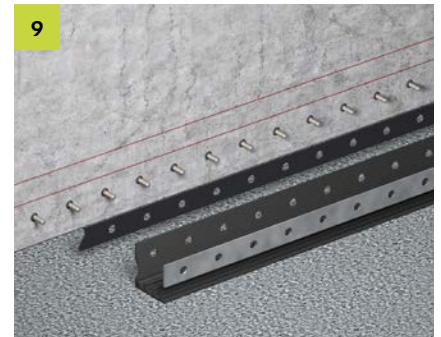
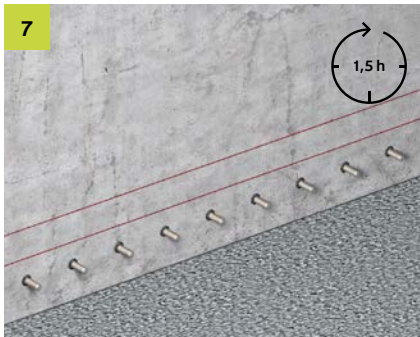
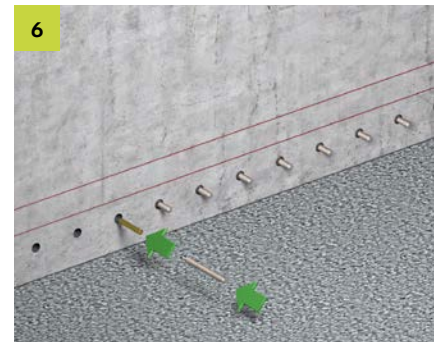
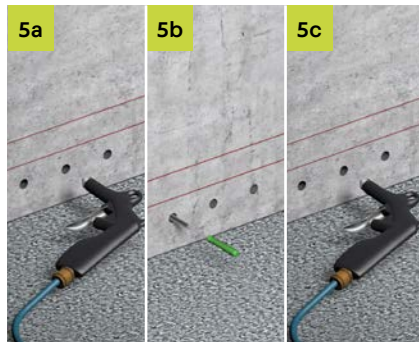
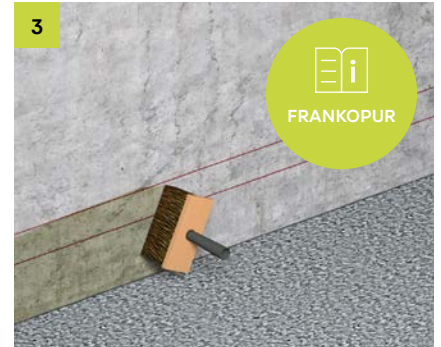
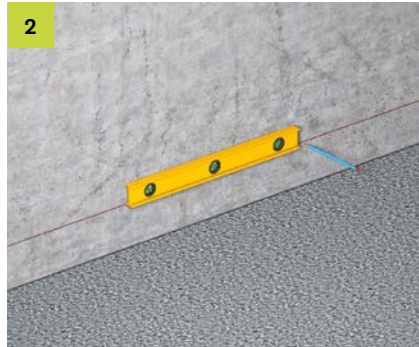
Installation instructions

Installation notes

The surface of the existing building must be in the following condition:

- ≥ 25 cm wide
- Clean, smooth, level and free from ripples and recesses
- Free from cavities, cracks and loose parts
- Watertight
- Load-bearing, surface tensile strength min. 1.5 N/mm^2 , concrete quality $\geq \text{C25/30}$ (previously: B25 watertight)





Accessories

KUNEX® Clamp joint



Primer

For preparing the concrete surface.*



Shear connector

Type: M12, M16*.
For bonding the anchor rod in place.



Anchor rod

Type: M12/160, M16/190*.
Galvanised or V4A with nut and U washer.



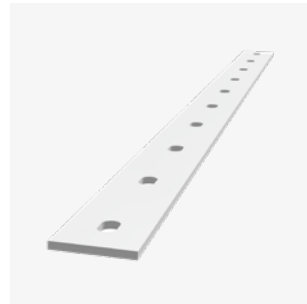
Concrete bolt

Type: TSM 14M16* galvanised or TSM10M12* V4A with nut and U washer. Alternative fastening option to the shear connector system.



Crepe rubber strip

Type: 80×4*.
For sealing the building connection joint.



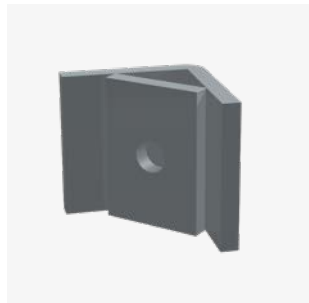
Clamping rail

Type: 80×8* (16/30, 20/30*).*
Slotted every 150 mm, galvanised (L=1450 mm) or V4A (L=1300 mm).



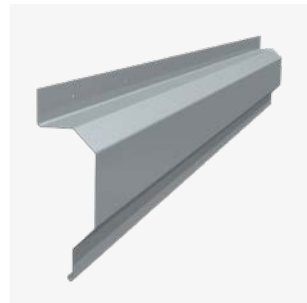
Outer corner

Special profile 80×10×200 mm. Galvanised or V4A.



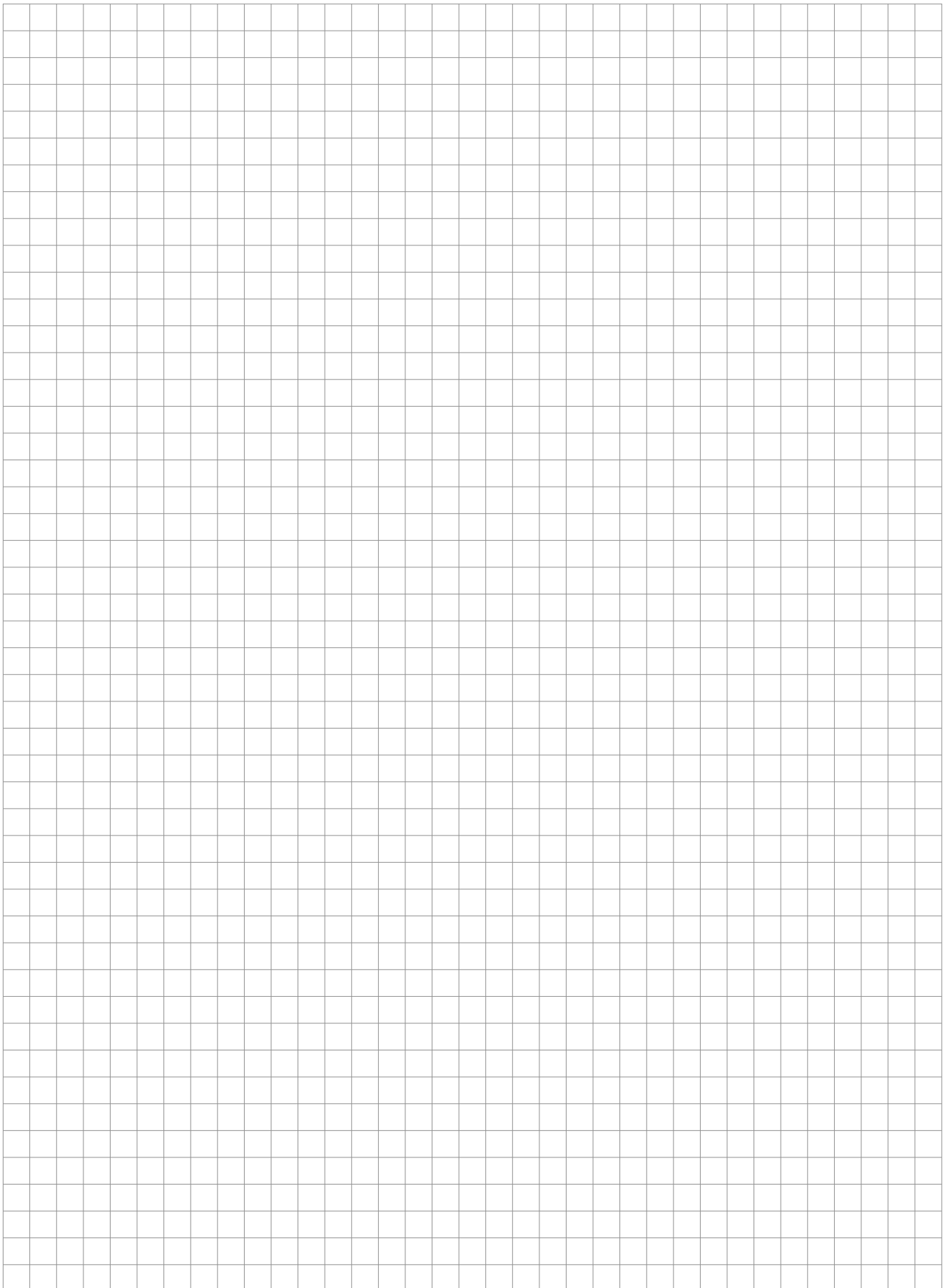
Inner corner

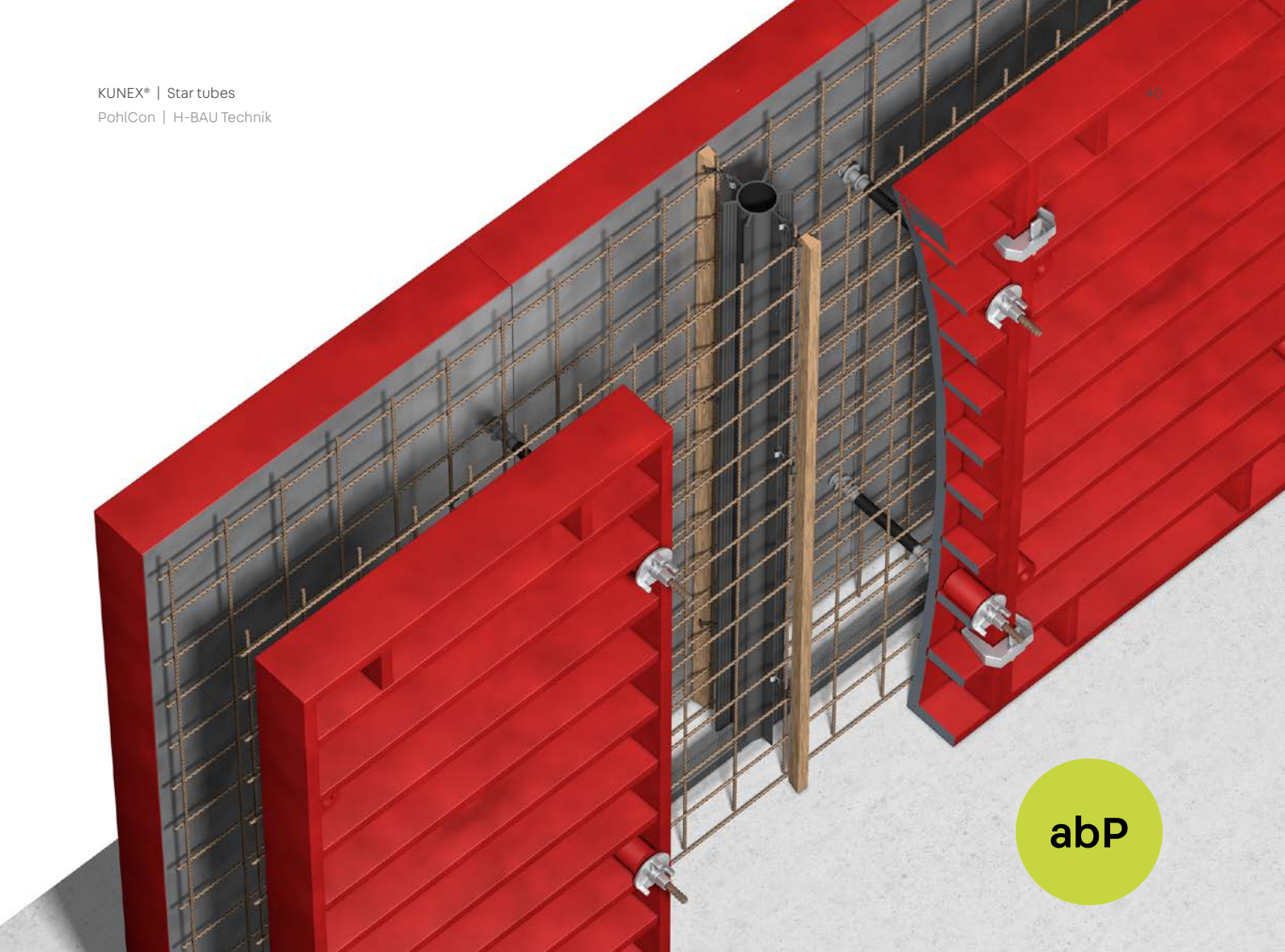
Special profile 80×10×100 mm. Galvanised or V4A.



Clamping protection profile

Made of galvanised sheet metal, comes with knock-in anchors. Ensures the joint can move and protects the structure.





KUNEX® star tubes

For sealing crack control joints in concrete

The product

KUNEX® thermoplastic (PVC-P) star tubes are used to seal dummy joints and crack control joints in concrete. Star tubes consist of a soft PVC casing with four stop anchors and two crack-formation lips. The casing is stabilised by a hard PVC interior tube. The two crack-formation lips are used to form the crack at a predetermined point. The crack is simultaneously sealed again by the four stop anchors.

Application

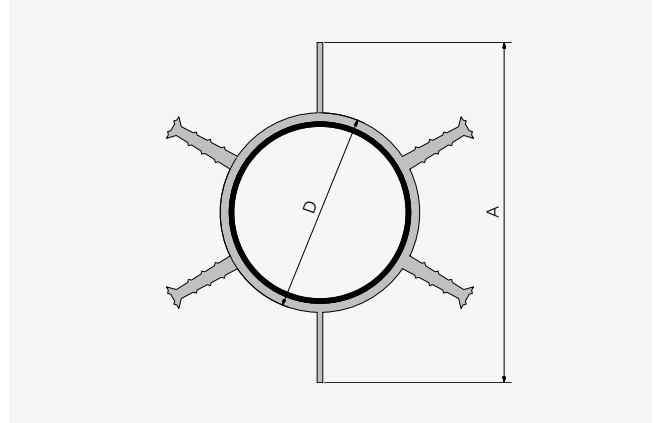
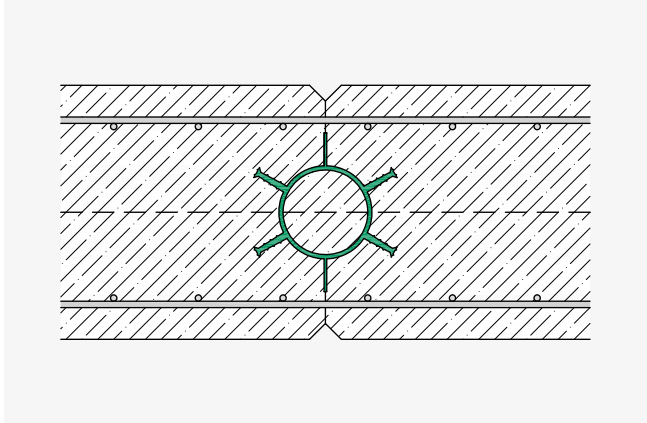
KUNEX® star tubes are used as interior seals for forming dummy joints and crack control joints. The system is suitable for zones subject to repeated wet and dry cycles and meets the requirements of usage class A for stress classes 1 and 2 in accordance with the German watertight concrete guideline.



Benefits

- With German building code test certificate (abP)*
- PVC-P raw material
- PVC-U interior tube for stabilisation
- For use with KUNEX® joint tapes and PENTAFLEX KB® seam sheets in line with German building code test certificate (abP)

Technical information

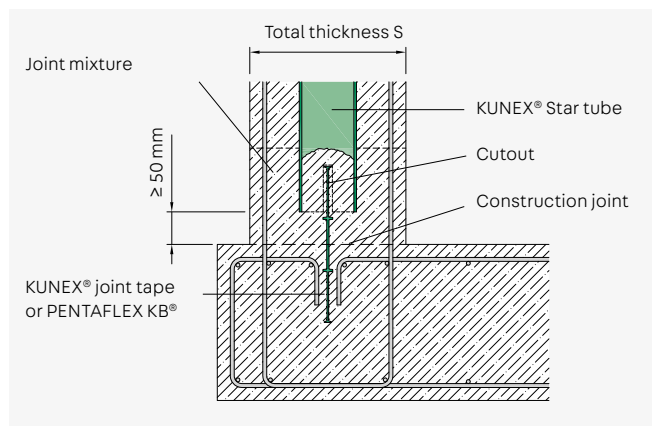
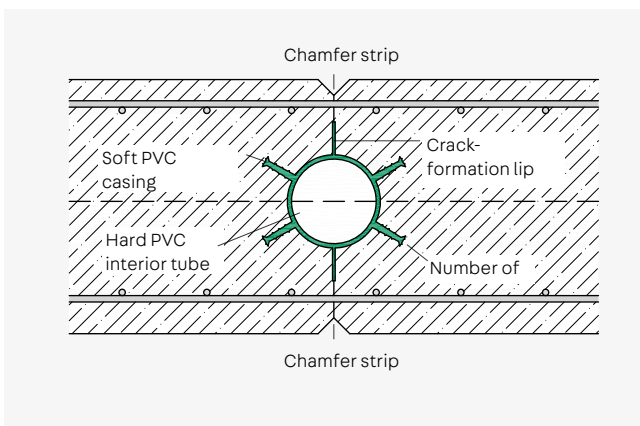


Type	D mm	A mm	For wall thickness mm	Standard lengths m
Q60	60	100	≤ 240	2.50; 3.00; 4.00
Q88	88	150	≤ 350	2.50; 3.00; 4.00
Q175	175	235	> 350-500	2.50; 3.00; 4.00

The following applies to selecting the appropriate star tube for element walls: In-situ concrete core = wall thickness

Other lengths available on request.

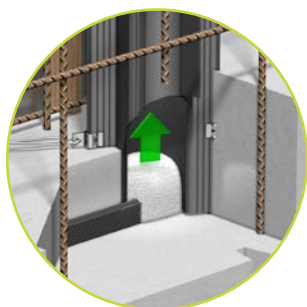
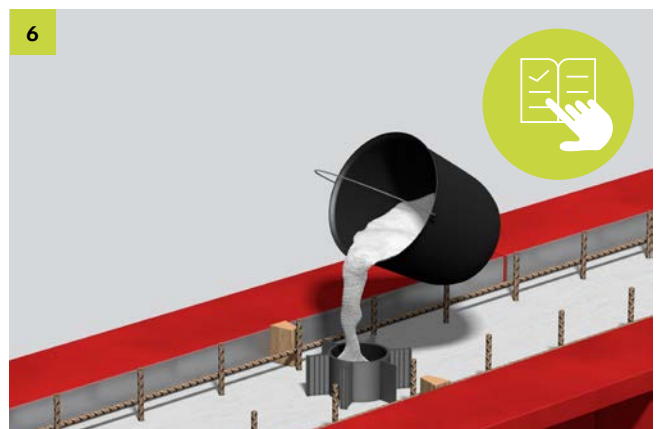
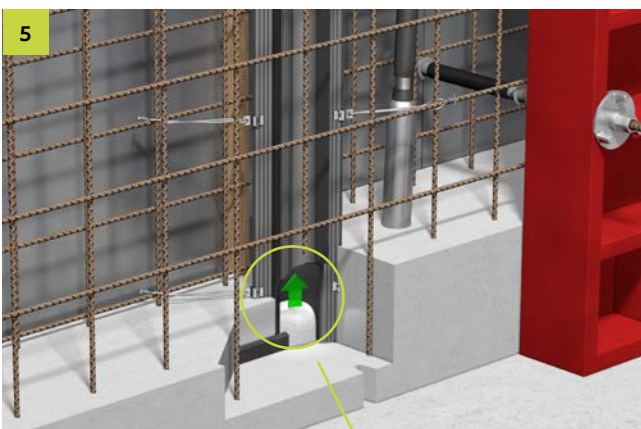
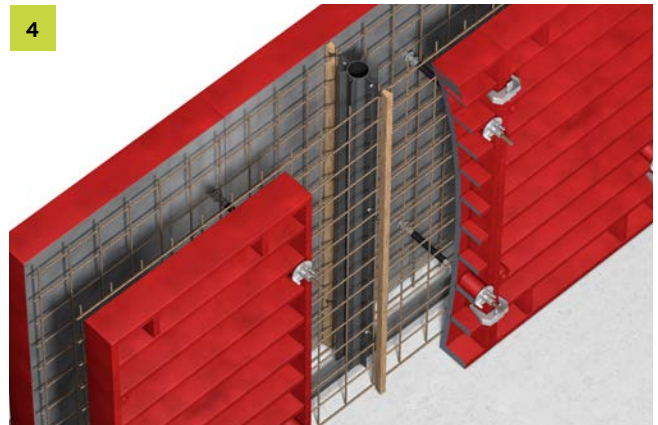
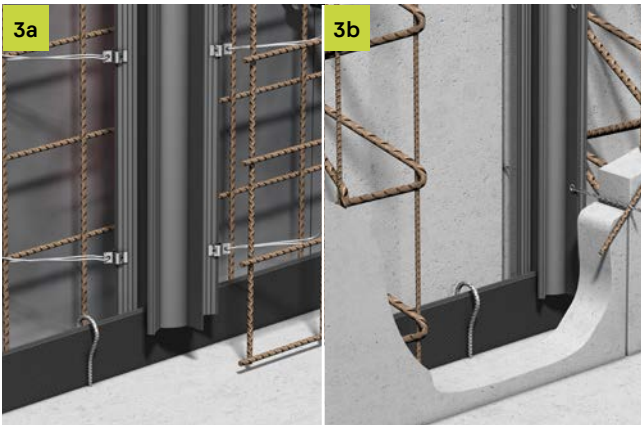
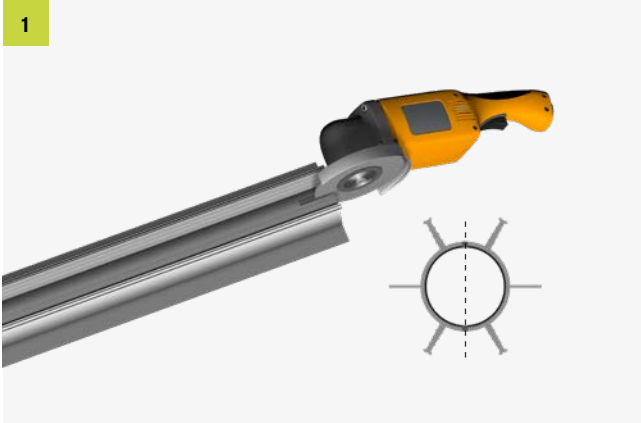
System cross section



Top view of wall/wall star tube

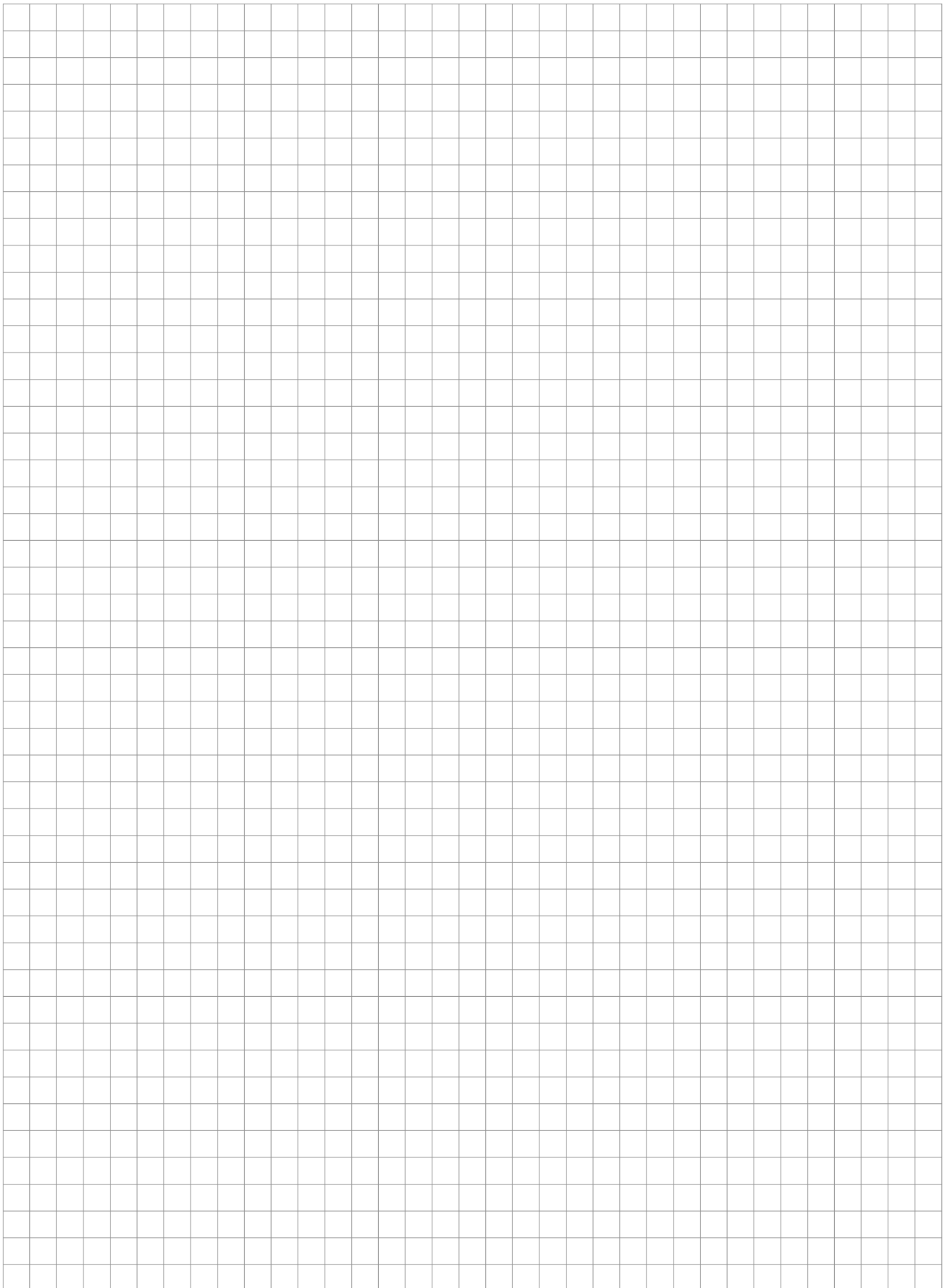
Connection between star tube and joint seal

Installation instructions



Our Application Technology department will be happy to assist you with further solutions.

T +49 7742 9215-300
technik-hbau@pohlcon.com





KUNEX® puddle flange

For sealing pipelines and earthing strips

The product

The KUNEX® MK puddle flange is used to seal pipelines that are laid through watertight concrete components. This high-quality puddle flange is made of TPE, is tested to ensure tightness against water pressure up to 5.0 bar (50 m hydrostatic head) and is resistant to a variety of chemical substances. Types EF and ER are used to seal flat and round earthing strips.

Application

The fact that the system is easy to install and use with all common pipe materials and diameters makes it a flexible, safe and cost-effective solution. All that is needed on the construction site is a smooth, clean and damage-free surface for the underground pipe or earthing strip. The system comes ready to install with all the required materials.

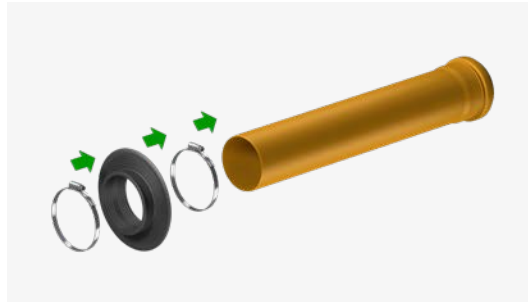
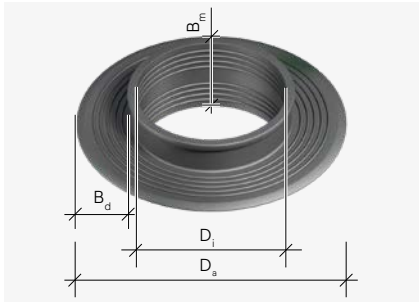


Benefits

- Easy to assemble and use
- Material: Black TPE
- Tested for watertightness up to 5.0 bar water pressure (does not apply to the types EF/ER)

KUNEX® puddle flange MK

Technical data



Type	Outer pipe diameter mm	D_i mm	D_a mm	Sleeve width B_m mm	Sealing ring B_d mm
MK 40	38 - 42	38.50	134.00	57	40
MK 50	48 - 53	48.50	144.80	57	40
MK 63	60 - 64	62.30	157.20	57	40
MK 75	71 - 80	73.80	169.50	57	40
MK 90	84 - 92	87.20	183.70	57	40
MK 110	105 - 116	108.40	203.50	57	40
MK 125	120 - 130	123.30	219.20	57	40
MK 160	154 - 166	157.70	253.10	57	40
MK 200	195 - 210	199.80	290.40	57	40

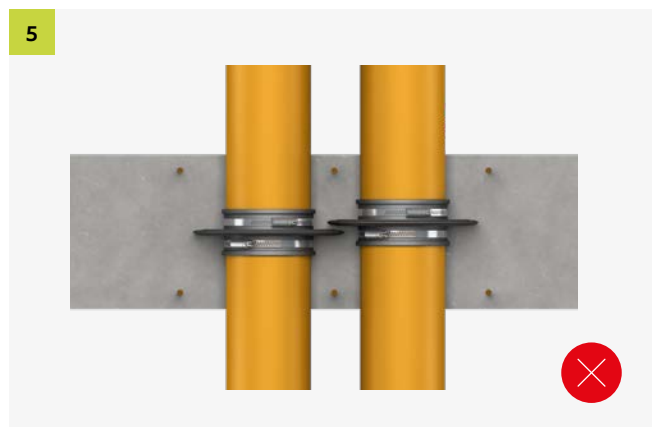
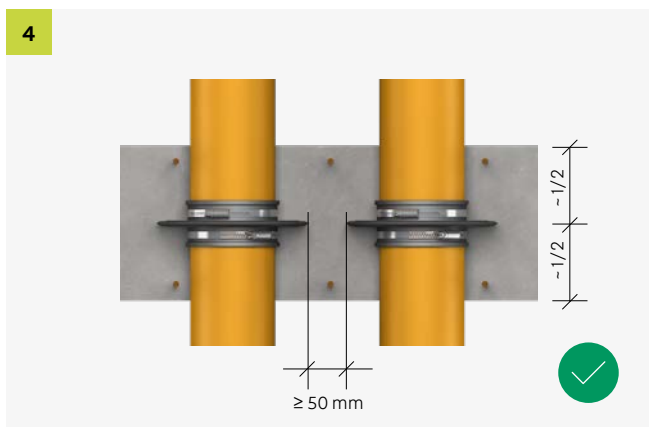
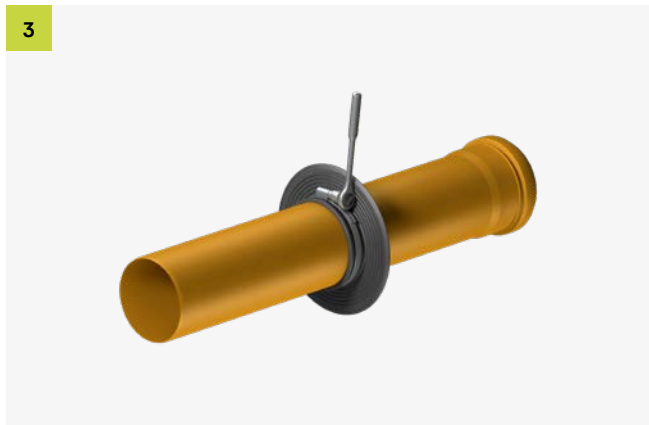
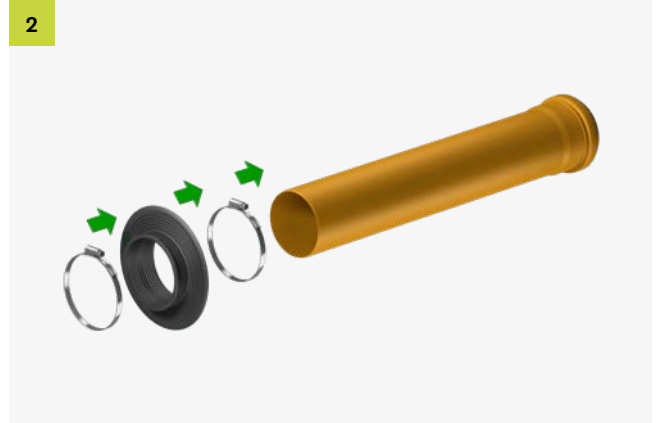
KUNEX® puddle flange MK EF/ER

Technical data



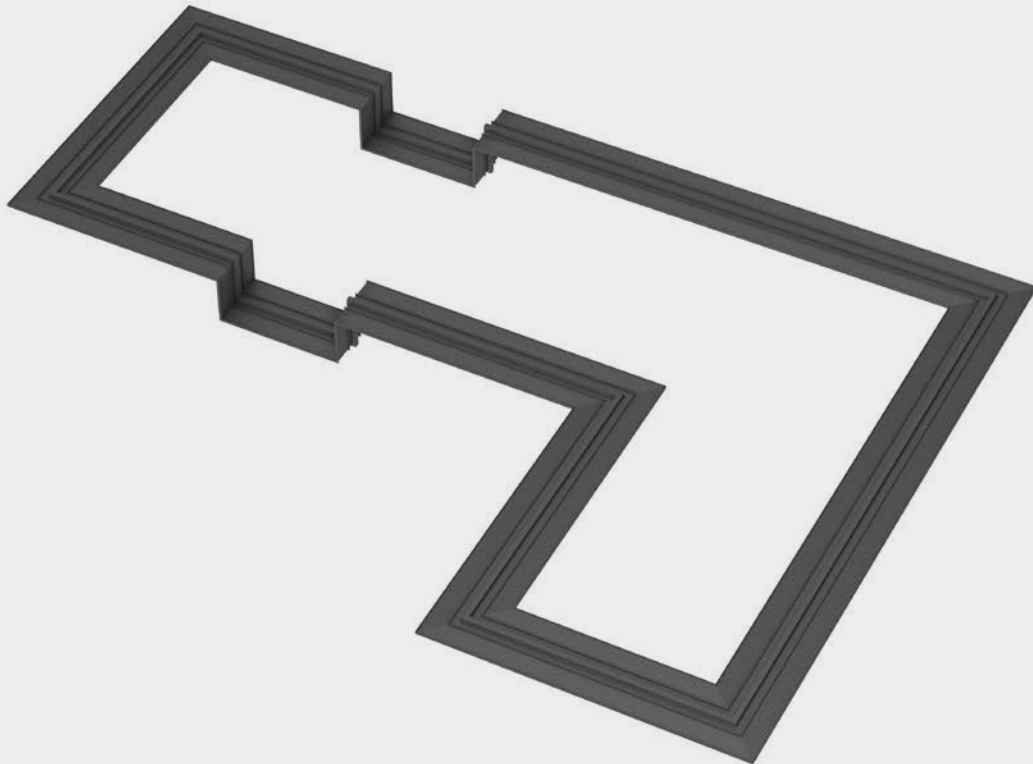
Type	Outer pipe diameter mm	D_i mm	D_a mm	Sleeve width b_m mm	Sealing ring b_d mm
MK EF	30 × 3 - 3.5	30.5 × 6.0 mm	120.80	39.80	40
MK ER	8 - 10	9.50	106.20	39.00	40

Installation instructions



Our Application Technology department will be happy to assist you with further solutions.

T +49 7742 9215-300
technik-hbau@pohlcon.com



KUNEX® formed parts and accessories

Joint tape systems with corners, crossovers and T shapes

KUNEX® joint tapes and formed parts are used to create closed joint tape systems for sealing watertight concrete structures. These are **prefabricated in the factory in sections of up to 25 m** so that only a few minor butt joint welds need to be made on the building site.

Application

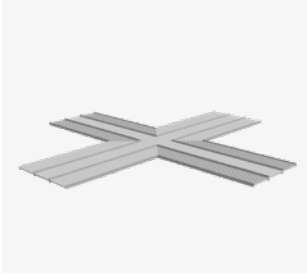
KUNEX® formed parts are used as interior or exterior joint seals for forming watertight construction or movement joints. The systems are suitable for zones subject to repeated wet and dry cycles and meet the requirements of usage class A for stress classes 1 and 2 in accordance with the German watertight concrete guideline. KUNEX® accessories are used when handling joint tapes on construction sites.



Benefits

- Factory-welded connections
- Standard formed parts
- Welded structures in accordance with customer requirements
- Welding training courses
- Welding equipment for the building site

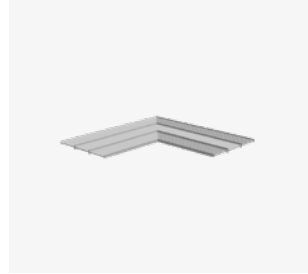
Standard formed parts



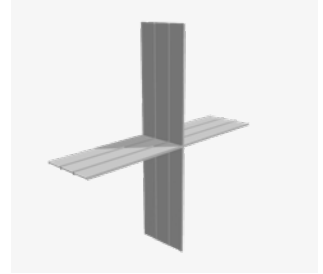
Form 1
Flat crossover



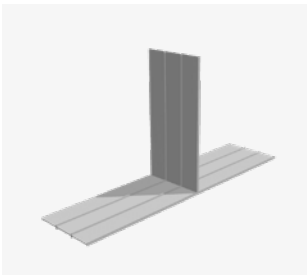
Form 2
Flat T



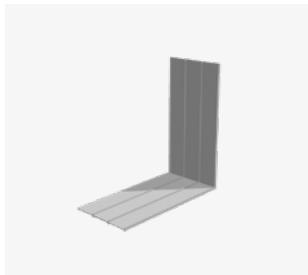
Form 3
Flat corner



Form 4
Vertical crossover



Form 5
Vertical T



Form 6
Vertical corner



Form 7
Vertical crossover



Form 8
Vertical T



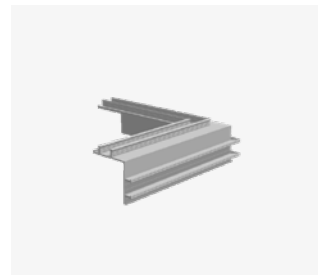
Form 9
Vertical corner



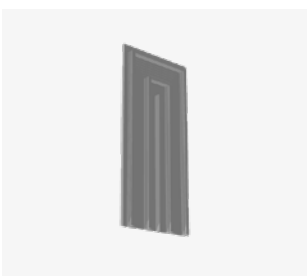
Form 10
Flat corner



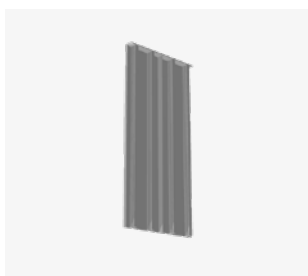
Form 11
Mirrored corner



Form 12
Double-angled corner



Form 13
Joint tape lock

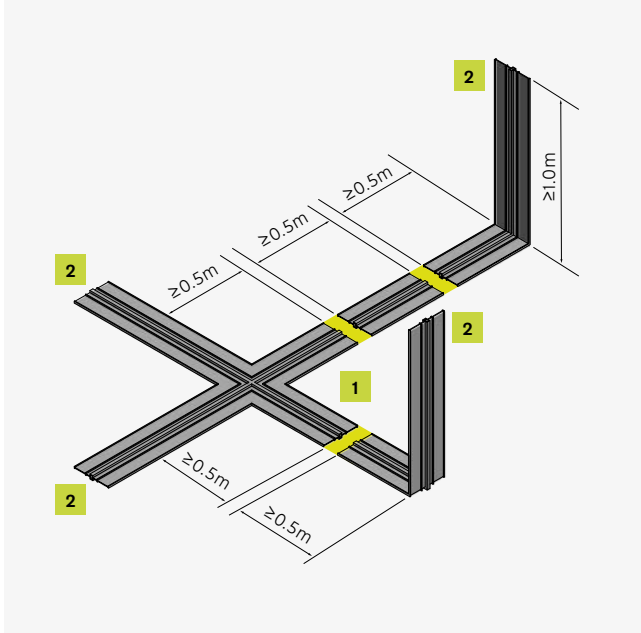


Form 14
Joint tape closure

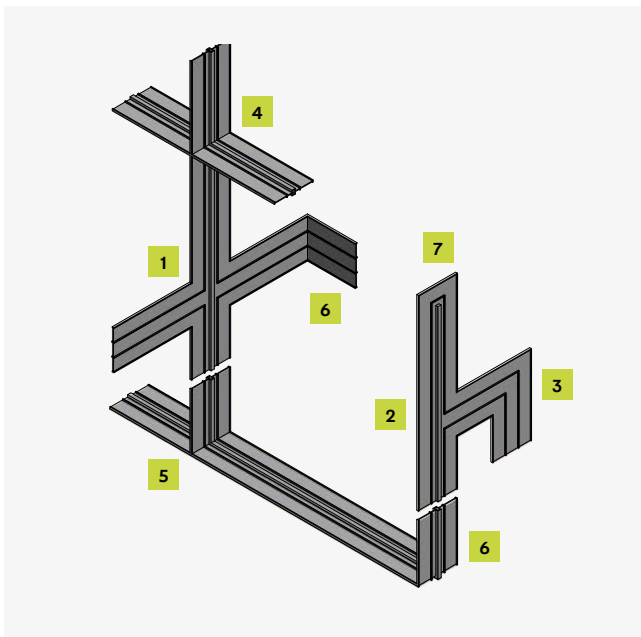


Form 15
Butt joint

Joint tape designs



- 1 First casting section
- 2 Free joint tape end
- Joint on building site



- 1 Flat crossover
- 2 Flat T
- 3 Flat corner
- 4 Vertical crossover
- 5 Vertical T
- 6 Vertical corner
- 7 Joint tape lock

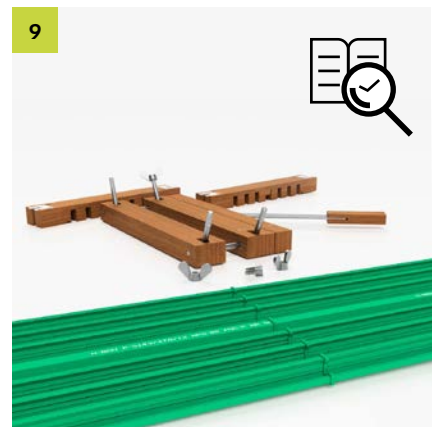
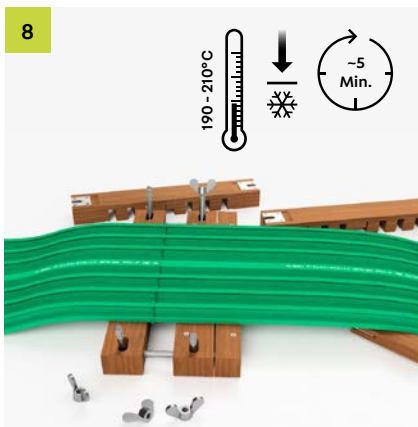
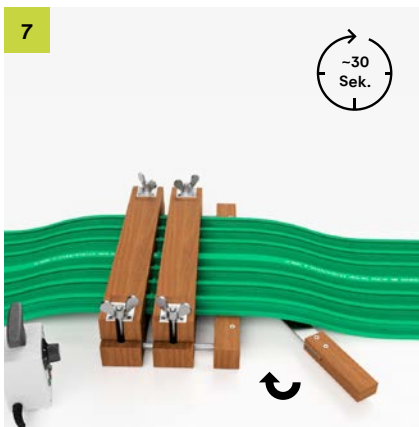
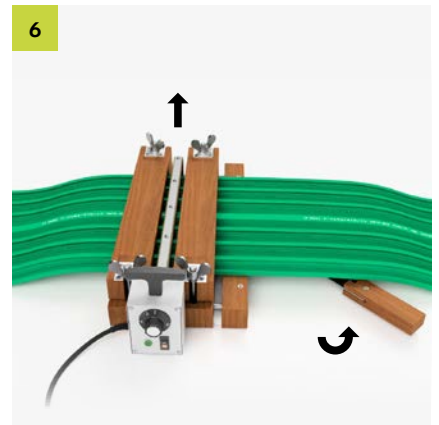
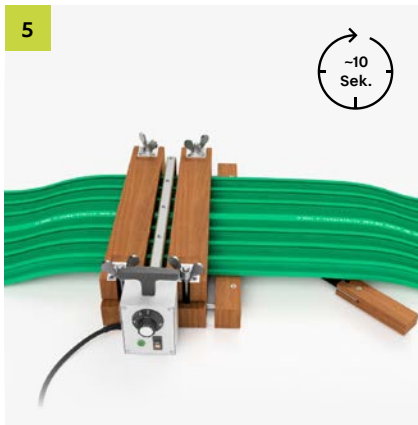
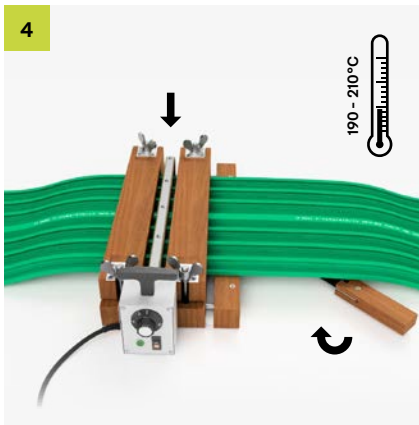
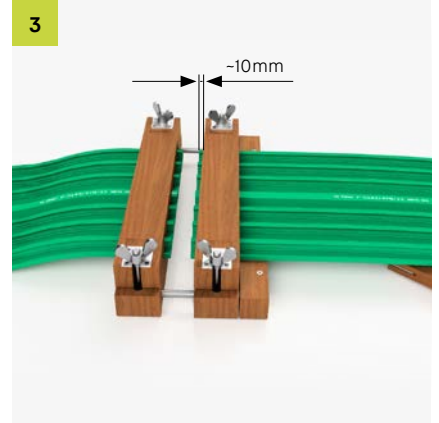
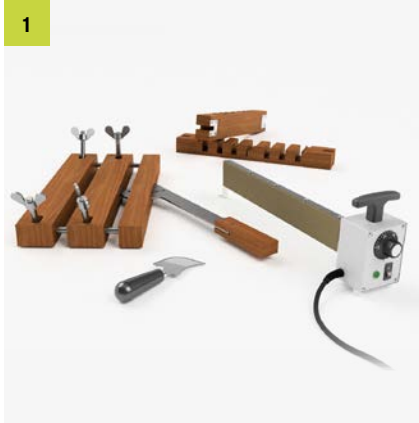
Alongside standard formed parts made of construction joint tapes, expansion joint tapes or joint end tapes, we also produce joint tape designs in accordance with customer requests.



Our Application Technology department will be happy to assist you with further solutions.

T +49 7742 9215-300
technik-hbau@pohlcon.com

Butt joint welding on the building site



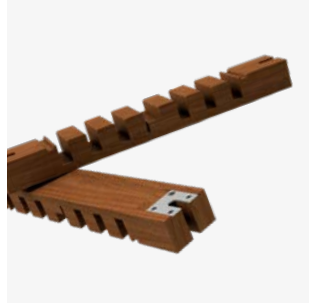
Joints on building sites must only be created by qualified personnel.
Visit www.pohlcon.com for more information regarding qualifications.

Accessories



Welding gauge

Type: SL320.
This basic element is used to hold KUNEX® templates.



Template

Type: A-D 190, 240, 320.
Type: AA-DA 190, 240, 320.
Used to guide the KUNEX® joint tapes when cutting and welding.



Welding plate

Type: SSP 400.
For joining thermoplastic joint tapes.



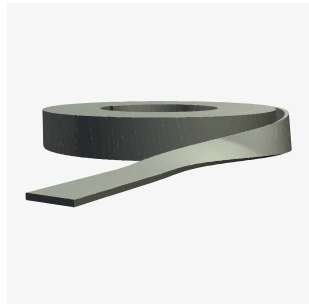
Joint tape knife

For cutting joint tapes.



Spark tester

230 V, 50/60Hz.
Test voltage: Adjustable from 10 - 55 kV, flexible rod electrode, 150 mm long.



Welding tape

Type: 25/3 or 30/2 - also available in BV quality class.
For reinforcing joint tape welds.



Hot air gun

Hot air welder, 1600 watts / 230 V.



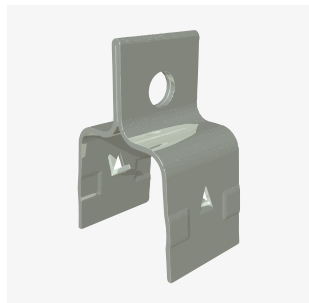
Tubular nozzle

Dia. 5 mm as accessory for hot air gun.



Wide slot nozzle

20 mm wide as accessory for hot air gun.



Joint tape clip

For fastening joint tapes in place.
Consumption: 4 units per running metre and side.



Joint tape connector

The FBV joint tape connector in a clamping device for connecting construction joint tapes.
Type: FBV 100, 150, 190, 240, 320



Joint tape connection

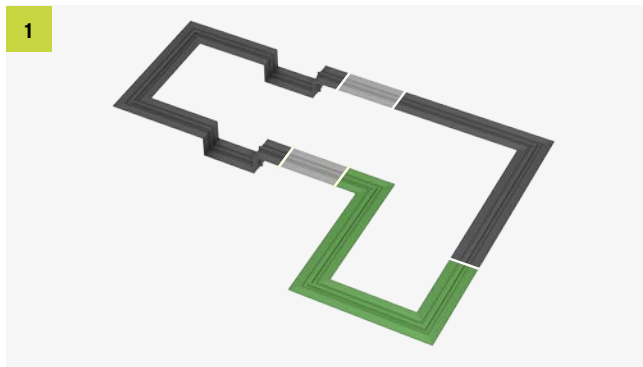
The joint tape connection FBA is a clamping device for connecting PENTAFLEX® elements with joint tapes of all kinds.

General information

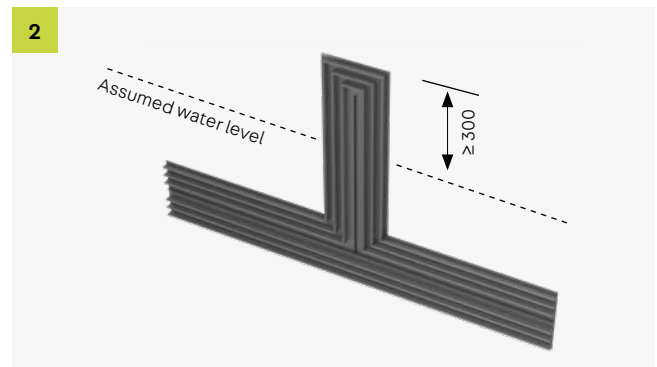
Guidelines

The most suitable joint tape must be determined on the basis of the anticipated loads. Ensure that the tape is properly applied to the structure.

- Joints should be as straight as possible, clearly visible and without any differences in elevation
- Any changes necessary in the direction of the joint profile should run at right angles where possible
- Concise drawings of the joint tapes, the joint profile, connections and crossovers are required



Joint tapes must create a closed sealing system



Joint tapes should be laid at least 300 mm above the assumed water level and sealed at the ends with a joint tape lock

Selecting a joint tape

Joint tapes should be selected depending on the following conditions:

- Type of joint: Construction joint or movement joint
- Interior or exterior sealing level
- Compatible with bitumen (BV) or not compatible with bitumen (NB)
- Joint tape width depending on the assumed water level, thickness of the component and, if applicable, the resulting deformation of the joint
- Joint tape in line with DIN or factory standard (German building code test certificate (abP))

Regulations

- DIN 18197 – Planning, design, handling, processing and installation of joint tapes
- DIN 18541-1 – Shape, dimensions and markings of PVC-P joint tapes in accordance with DIN
- DIN 18541-2 – Material properties of PVC-P joint tapes in accordance with DIN
- German building code test certificate (abP) – Shape, dimensions, markings and material properties of PVC-P joint tapes in accordance with factory standard
- DAfStb guideline on watertight concrete structures (Wasserundurchlässige Bauwerke aus Beton) – general regulations dealing with watertight concrete structures

Determining the correct joint tape

Assumed water level

The highest ground/artesian water level or flood level to be expected during the planned duration of use taking into account many years of observations and expected future conditions: the highest assumed water level.

(Source: German watertight concrete guideline)

Joint type

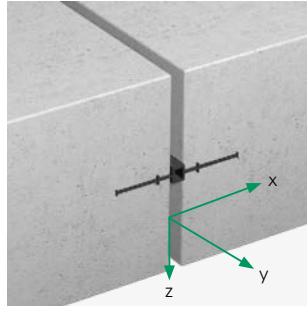
The type of joint tape is determined on the basis of the type of joint:

- Construction joint - Interior or exterior construction joint tape
- Movement joint - Interior or exterior expansion joint tape
- Joint end tape for sealing the surface of the joint at the same time

Deformation stress

The deformation in movement joints affects the maximum water pressure that the joint tapes can withstand.

The resulting deformation can be determined as follows:



$$v_r = \sqrt{v_x^2 + v_y^2 + v_z^2}$$

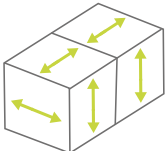
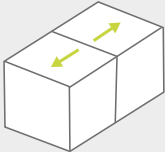
v_r = resulting deformation

v_x = deformation in x axis

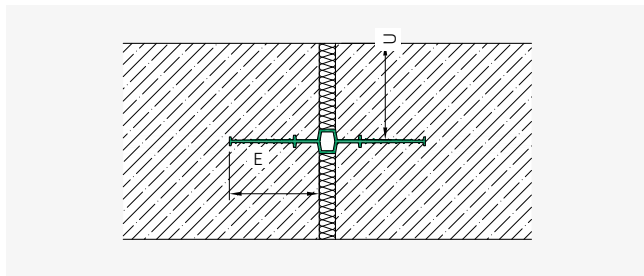
v_y = deformation in y axis

v_z = deformation in z axis

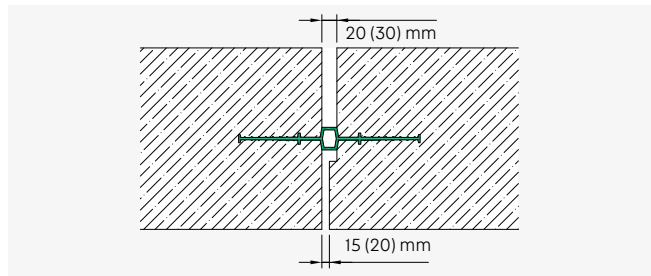
Calculation example
on p. 59

Joint type	Usage	Type
Construction joints	No planned deformation	A, AA
Movement joints 	$v_r \leq 30$ mm	D, DA, FA
	$v_r \leq 35$ mm	DA, FA
	$v_r \leq 40$ mm	FA
Compression joints 	No shear deformation	D, DA

Joint tape width and compression limit



Interior joint tapes should roughly correspond to the component thickness and be positioned centrally in the component. The anchoring depth (E) must not exceed the cover (U).

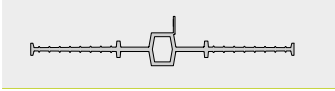
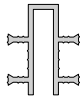
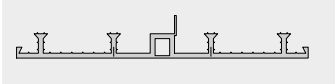


Stepped joints prevent the expansion chamber in joint tapes from being compressed when the joint undergoes extreme deformation.

Construction notes

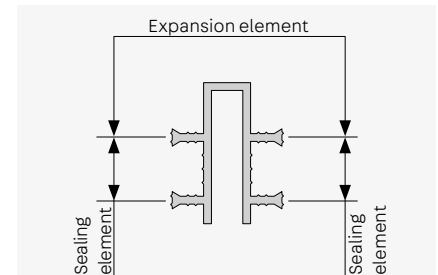
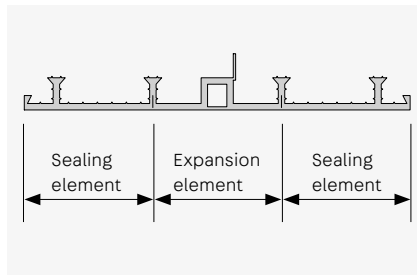
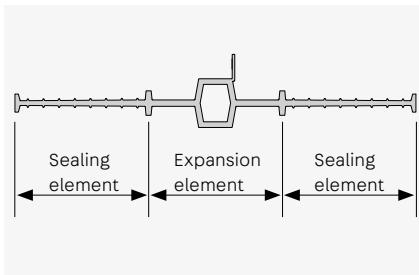
Nominal joint width

This table shows the following maximum permitted joint widths for standard joint tapes.

Joint tape	Type	Joint width
	D	20 - 30 mm
	FA	20 - 30 mm
	DA	20 mm

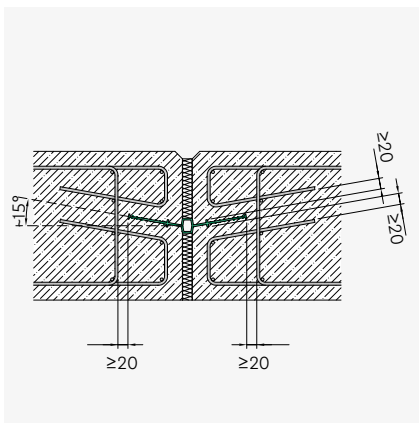
Functional areas

In terms of function, joint tapes are divided into sealing elements and expansion elements.

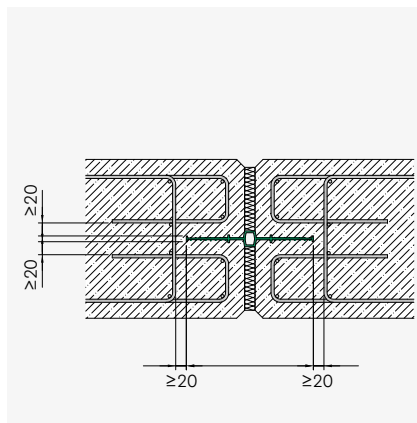


Edge clearances

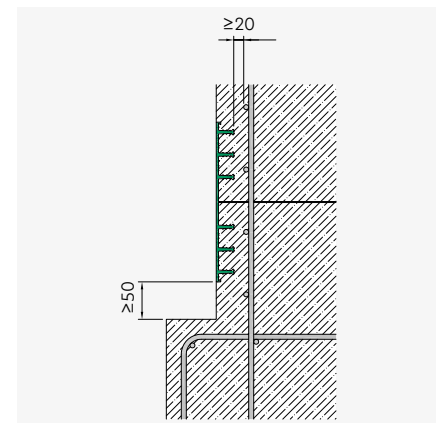
- Distance from edge to static reinforcement ≥ 20 mm
- Distance from edge to grooves and borders ≥ 50 mm



Interior expansion joint tape in a floor slab bent at an angle of 15° - distance to static reinforcement.

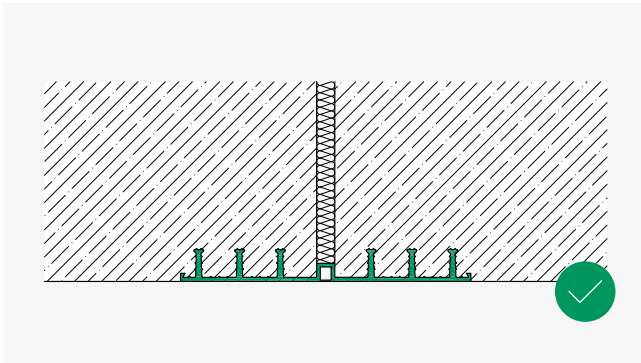


Interior expansion joint tape in a wall - distance to static reinforcement.

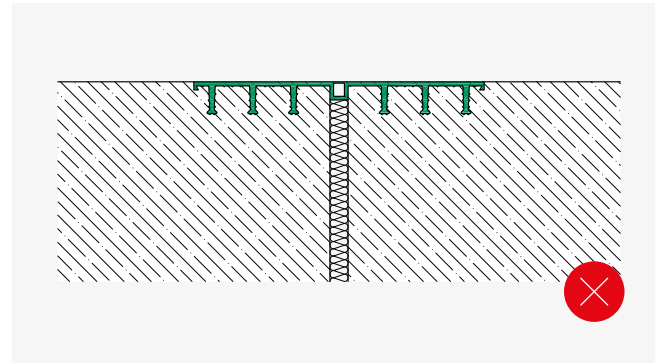


Exterior construction joint tape in a wall - distance to offset ≥ 50 mm.

Arrangement of exterior joint tapes



In general, exterior joint tapes should be placed on the positive side of the component (facing the water under pressure). In floor/floor joints, exterior joint tapes must always be positioned on the underside.



Casting concrete below the tape is not permitted.

Changing the direction of the joint

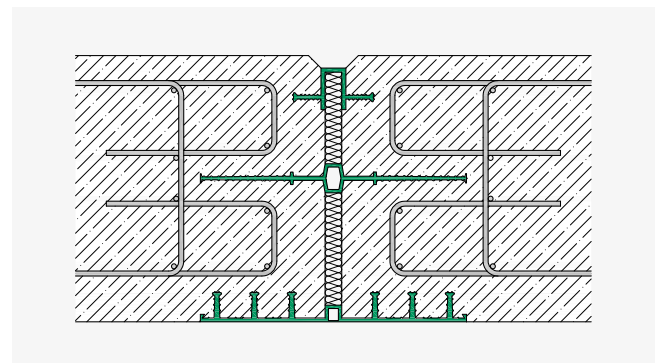
As a rule, corners should be created by using formed parts (see p. 49). Alternatively, they can be formed by

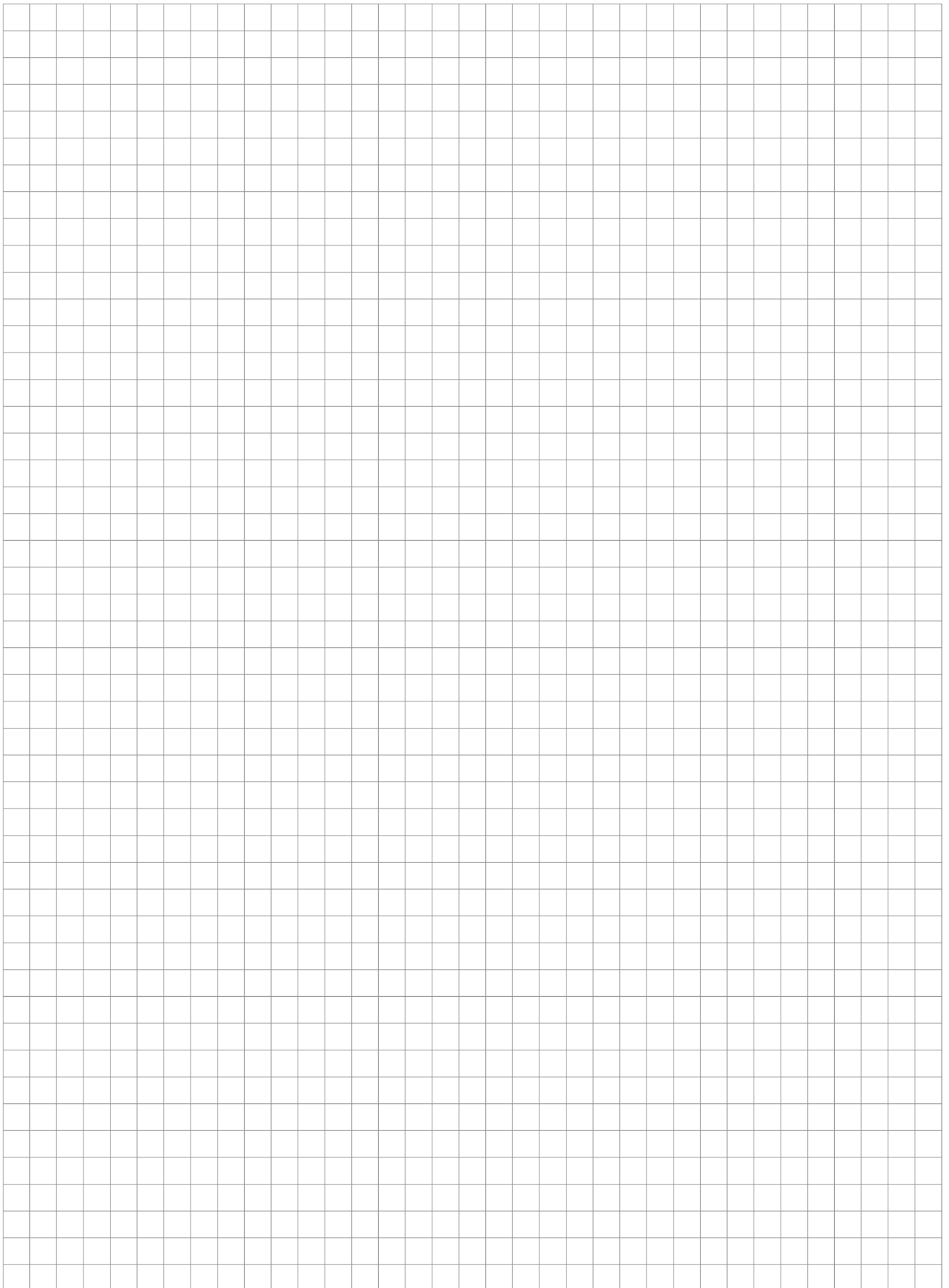
bending the joint tape, but always observing the following bending radii.

Joint tape type		Bending radius	
Interior	Construction joint tapes (type A)		≥ 15 cm
Interior	Expansion joint tapes (type D)		≥ 25 cm
Exterior	Construction joint tapes (type AA)		≥ 50 x stop anchor height
Exterior	Expansion joint tapes (type DA)		≥ 50 x stop anchor height
Joint end tapes	Joint closing tapes (type FA)		≥ 30 x stop anchor height (bend around the x axis)
Joint end tapes	Joint closing tapes (type FA)		≥ 30 x profile width (bend around the y axis)

Protecting the joint

Joint filler plates are used to protect the movement joint and the joint tape centre hose during casting. The joint is protected against contamination by the joint end tape.





Joint tape selection according to DIN

In line with DIN 18197

Interior expansion joint tapes

In line with DIN 18541

p bar	p m							v _r mm
		0	5	10	15	20	25	
0.000	0.00	D240 DIN	D240 DIN	D240 DIN	D240 DIN	D240 DIN	D320 DIN	D500 DIN
0.100	1.00	D240 DIN	D240 DIN	D240 DIN	D240 DIN	D320 DIN	D500 DIN	
0.200	2.00	D240 DIN	D240 DIN	D240 DIN	D240 DIN	D320 DIN	D500 DIN	
0.300	3.00	D240 DIN	D240 DIN	D240 DIN	D320 DIN	D320 DIN	D500 DIN	
0.400	4.00	D320 DIN	D320 DIN	D320 DIN	D320 DIN	D320 DIN	D500 DIN	
0.500	5.00	D320 DIN	D320 DIN	D320 DIN	D320 DIN	D320 DIN		
0.600	6.00	D320 DIN	D320 DIN	D320 DIN	D320 DIN	D500 DIN		
0.700	7.00	D320 DIN	D320 DIN	D320 DIN	D320 DIN	D500 DIN		
0.800	8.00	D320 DIN	D320 DIN	D320 DIN	D320 DIN	D500 DIN		
0.900	9.00	D320 DIN	D320 DIN	D320 DIN	D320 DIN			
1.000	10.00	D320 DIN	D320 DIN	D320 DIN	D320 DIN			
1.100	11.00	D500 DIN	D500 DIN	D500 DIN	D500 DIN			
1.200	12.00	D500 DIN	D500 DIN	D500 DIN	D500 DIN			

v_r = resulting deformation, P = water pressure

Interior construction joint tapes

In line with DIN 18197

p bar	p m	v _r mm
		0
0.540	5.40	A240 DIN
1.800	18.00	A320 DIN
2.160	21.60	A500 DIN

v_r = resulting deformation, P = water pressure

Example of dimensions D320 DIN

Requirements

- 300 mm component thickness
- 20 mm interior expansion joint
- 4 m standing water
- 8 mm deformation in x direction
- 1 mm deformation in Y direction
- 5 mm deformation in z direction

Calculation

$$\begin{aligned}
 v_r &= \sqrt{v_x^2 + v_y^2 + v_z^2} \\
 &= \sqrt{8^2 + 1^2 + 5^2} \\
 &= 10 \text{ mm}
 \end{aligned}$$

Calculate for the selection diagrams:

- Interior joint tapes: joint tape width < component thickness (exception: 320 mm joint tape width with 300 mm component thickness)
- v_r = 10 mm boundary condition
- v_r ≤ 30 mm for interior expansion joint tapes

Condition met



Exterior construction and expansion joint tapes

In line with DIN 18541

p bar	P m	v _r mm					
		0	0	5	10	15	20
0.000	0.00	AA240/20 DIN	DA240/20 DIN	DA240/20 DIN	DA240/20 DIN	DA240/20 DIN	DA240/20 DIN
0.100	1.00	AA240/35 DIN	DA240/35 DIN	DA240/35 DIN	DA240/35 DIN	DA240/35 DIN	DA240/35 DIN
0.200	2.00	AA240/35 DIN	DA240/35 DIN	DA240/35 DIN	DA240/35 DIN	DA240/35 DIN	DA240/35 DIN
0.300	3.00	AA320/25 DIN	DA320/25 DIN	DA320/25 DIN	DA320/25 DIN	DA320/25 DIN	DA320/25 DIN
0.400	4.00	AA320/35 DIN	DA320/35 DIN	DA320/35 DIN	DA320/35 DIN	DA320/35 DIN	DA320/35 DIN
0.500	5.00	AA320/35 DIN	DA320/35 DIN	DA320/35 DIN	DA320/35 DIN	DA320/35 DIN	DA320/35 DIN
0.600	6.00	AA320/35 DIN	DA320/35 DIN	DA320/35 DIN	DA320/35 DIN	DA320/35 DIN	DA320/35 DIN
0.700	7.00	AA320/35 DIN	DA320/35 DIN	DA320/35 DIN	DA320/35 DIN	DA320/35 DIN	DA320/35 DIN
0.800	8.00	AA500/35 DIN	DA500/35 DIN	DA500/35 DIN	DA500/35 DIN	DA500/35 DIN	DA500/35 DIN
0.900	9.00	AA500/35 DIN	DA500/35 DIN	DA500/35 DIN	DA500/35 DIN	DA500/35 DIN	DA500/35 DIN
1.000	10.00	AA500/35 DIN	DA500/35 DIN	DA500/35 DIN	DA500/35 DIN	DA500/35 DIN	DA500/35 DIN

v_r = resulting deformation, P = water pressure | Continued on next page

Exterior construction and expansion joint tapes

In line with DIN 18541

p bar	p m	v _r mm		
		25	30	35
0.000	0.00	DA240/35 DIN	DA320/35 DIN	DA500/35 DIN
0.100	1.00	DA320/25 DIN	DA500/35 DIN	
0.200	2.00	DA320/35 DIN	DA500/35 DIN	
0.300	3.00	DA320/35 DIN	DA500/35 DIN	
0.400	4.00	DA500/35 DIN		
0.500	5.00	DA500/35 DIN		
0.600	6.00	DA500/35 DIN		

v_r = resulting deformation, P = water pressure

Joint tape selection

In line with DIN 18541

p bar	p m	v _r mm					
		0	5	10	15	20	25/30/35/40
0.100	1.00	FA90/20 DIN	FA90/20 DIN	FA90/20 DIN	FA90/20 DIN	FA90/20 DIN	
0.200	2.00	FA130/20 DIN	FA130/20 DIN	FA130/20 DIN	FA130/20 DIN	FA130/20 DIN	
0.300	3.00	FA130/20 DIN	FA130/20 DIN	FA130/20 DIN	FA130/20 DIN	FA130/20 DIN	

v_r = resulting deformation, P = water pressure

Joint tape selection according to factory standard

In line with DIN 18197

Interior expansion joint tapes

In line with factory standard

p bar	p m							v_r mm
		0	5	10	15	20	25	30
0.000	0.00	D150	D150	D150	D190	D240	D320	D500
0.010	0.10	D150	D150	D150	D190	D320	D500	
0.100	1.00	D150	D150	D150	D190	D320	D500	
0.140	1.40	D190	D190	D190	D240	D320	D500	
0.255	2.55	D240	D240	D240	D320	D320	D500	
0.850	8.50	D320	D320	D320	D320			
1.020	10.20	D500	D500	D500	D500			

v_r = resulting deformation, P = water pressure

Interior construction joint tapes

In line with factory standard

p bar	p m	v_r mm
		0
0.010	0.10	A100
0.100	1.00	A150
0.140	1.40	A190
0.459	4.59	A240
1.530	15.30	A320
1.836	18.36	A500

v_r = resulting deformation, P = water pressure

Exterior construction and expansion joint tapes

In line with factory standard

p bar	p m										v_r mm
		0	0	5	10	15	20	25	30	35	
0.000	0.00	AA190/17	DA190/17	DA190/17	DA190/17	DA190/17	DA240/20	DA240/35	DA320/35	DA500/35	
0.140	1.40	AA190/17	DA190/17	DA240/35	DA240/35	DA240/35	DA240/35	DA320/35	DA500/35		
0.150	1.50	AA240/20	DA240/20	DA240/35	DA240/35	DA240/35	DA240/35	DA320/35	DA500/35		
0.170	1.70	AA240/35	DA240/35	DA240/35	DA240/35	DA240/35	DA240/35	DA320/35	DA500/35		
0.200	2.00	AA320/20	DA320/20	DA320/25	DA320/25	DA320/25	DA320/25	DA320/35	DA500/35		
0.255	2.55	AA320/25	DA320/25	DA320/25	DA320/25	DA320/25	DA320/25	DA320/35	DA500/35		
0.595	5.95	AA320/35	DA320/35	DA320/35	DA320/35	DA320/35	DA320/35				
0.850	8.50	AA500/35	DA500/35	DA500/35	DA500/35	DA500/35	DA500/35				

v_r = resulting deformation, P = water pressure

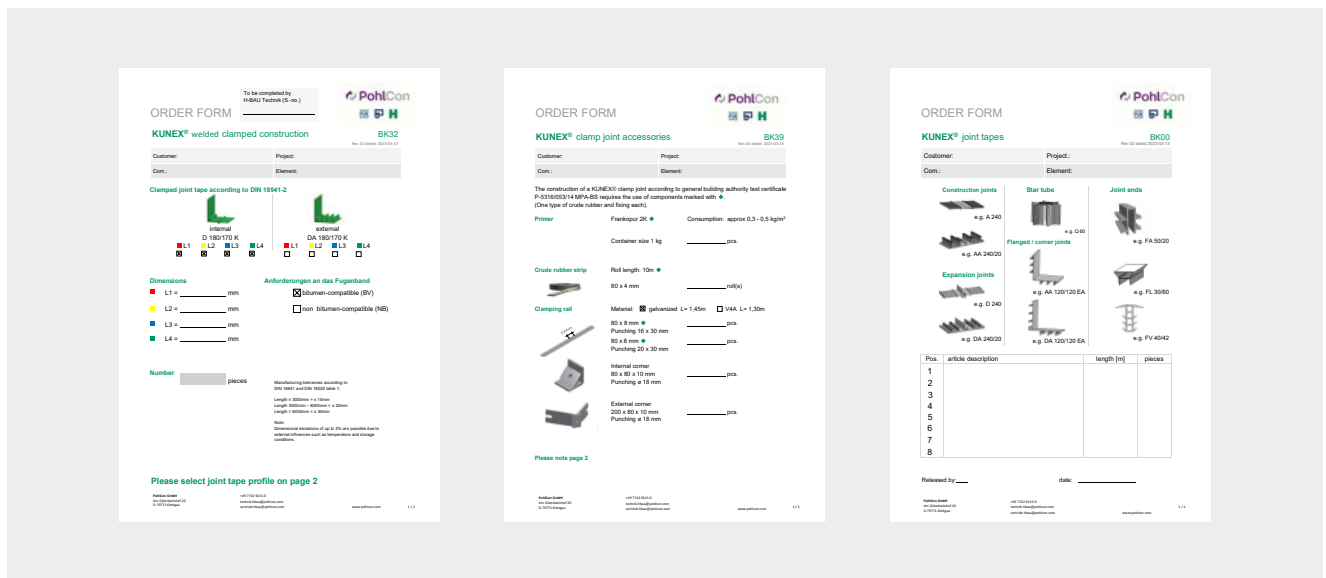
Joint end tapes

In line with factory standard

p bar	p m											v _r mm
		0	5	10	15	20	25	30	35	40		
0.000	0.00	FA50/20	FA50/20	FA50/20	FA50/20	FA50/20						
0.000	0.00	FA50/30	FA50/30	FA50/30	FA50/30	FA50/30	FA50/30	FA50/30				
0.085	0.85	FA90/20	FA90/20	FA90/20	FA90/20	FA90/20						
0.085	0.85	FA95/30	FA95/30	FA95/30	FA95/30	FA95/30						
0.255	2.55	FA130/20	FA130/20	FA130/20	FA130/20	FA130/20						

v_r = resulting deformation, P = water pressure

Order sheets



Download order sheets from our homepage for better planning and construction:

www.pohlcon.com/downloads



You can use this order form to enter your order on screen easily and conveniently, save it and send it to us by email.



We would also be happy to take your enquiries and orders personally by telephone.



Our Application Technology department will be happy to assist you with further solutions.

T +49 7742 9215-300
 technik-hbau@pohlcon.com

Our synergy concept for your benefit

With us, you can take advantage of the collective experience of three established manufacturers that combine products and expertise in one comprehensive offer. That is the PohlCon synergy concept.



Full service consulting

Our extensive network of consultants is available to answer all of your questions about our products on site. From planning to deployments, enjoy personal support from our qualified professionals.



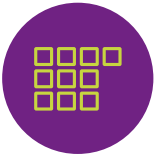
Digital solutions

Our digital offerings offer targeted support in planning with our products. From tender texts through CAD details and BIM data to modern software solutions, we offer you tailored support for your planning.



7 areas of application

We think in holistic solutions, which is why we have grouped our products into seven areas of application for you where you can benefit from the synergy of the PohlCon product portfolio.



10 product categories

To help you find the right product in our extensive range even faster, the products are grouped into ten product categories so you can navigate clearly between our products.



Individual special solutions

There's no mass produced-product on the market that is suitable for your project? We master extraordinary challenges with the many years of expertise of our three manufacturing brands in the sector of individual solutions, allowing us to realize your unique construction projects together.



Errors and technical changes reserved. Reprinting and any electronic reproduction only authorised with our written permission. All previous documents lose their validity with the publication of this printed matter.

PohlCon GmbH

Nobelstraße 51
12057 Berlin
Germany

T +49 30 68283-04
F +49 30 68283-383

www.pohlcon.com