

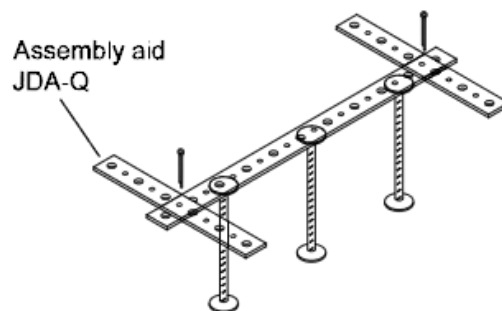


JORDAHL® Punching shear reinforcement JDA is technically approved (ETA-13/0136). All of the axis and edge separations specified therein must be observed in conjunction with the specifications of the responsible structural design engineer when installing the elements.

INSTALLATION FROM ABOVE: THROUGH THE REINFORCEMENT

1. Preassembly

If the JDA reinforcement elements are to be aligned parallel to the upper reinforcement layer, the JDA-Q assembling aid must be used and attached with splint pins.



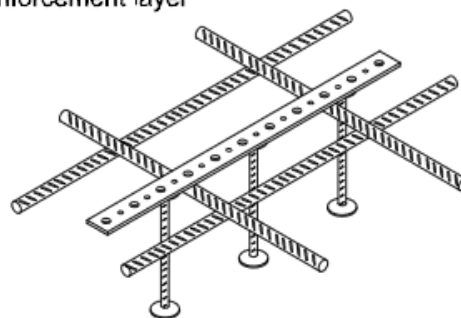
2. Alignment of the JDA reinforcing elements around the support in accordance with the planning specifications

Position the asymmetrical reinforcing elements such that the anchor (marked in blue) is aligned towards the support.

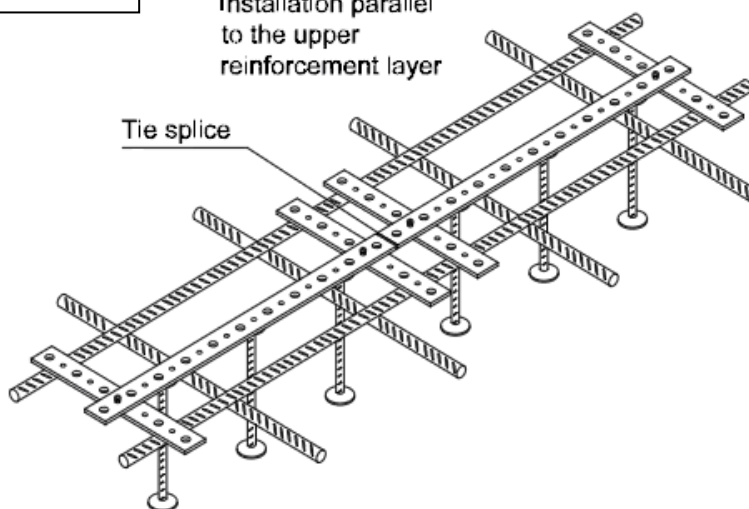
Attach the projecting end of the first tie flush with the support edge.

When stringing several reinforcing elements together, splice the subsequent stacked ties to each other.

Installation across to the upper reinforcement layer



Installation parallel to the upper reinforcement layer





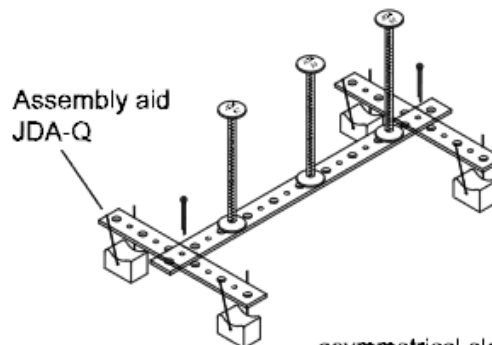
JORDAHL® Punching shear reinforcement JDA is technically approved (ETA-13/0136). All of the axis and edge separations specified therein must be observed in conjunction with the specifications of the responsible structural design engineer when installing the elements.

INSTALLATION FROM BELOW: ON THE FORMWORK

1. Preassembly

JDA-Q assembling aid must be attached with splint pins.

Attach spacers to comply with the required concrete cover.

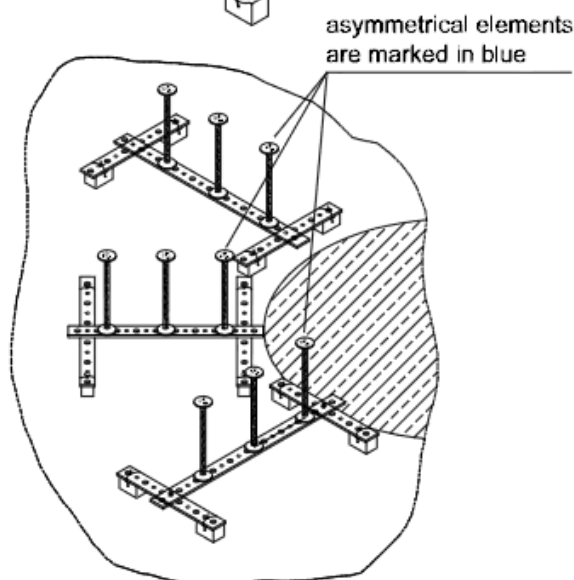


2. Alignment of the JDA reinforcing elements around the support in accordance with the planning specifications.

Position the asymmetrical reinforcing elements such that the anchor (marked in blue) is aligned towards the support.

Attach the projecting end of the first tie flush with the support edge.

When stringing several reinforcing elements together, splice the subsequent stacked ties to each other.



3. Lower reinforcement layer

Align the principal and transverse reinforcement in accordance with the planning specifications.

JDA elements remain stable during concreting.

